



Stuffing Boxes for Pressure Control and Artificial Lift Systems



Tough You Can Trust

A Proud History of Quality

Lowery Wellheads

Lowery Wellheads was established in 1979 in Tulsa, Oklahoma. For 40 years Lowery has been a significant supplier of tubing and casing heads, stuffing boxes, tees, flanges, and associated products for the oil & gas industry. Lowery is known for their high quality products made primarily with American materials and labor. Lowery Wellheads is ISO 9001 2015 registered with a quality system that meets API Q1 certifications.

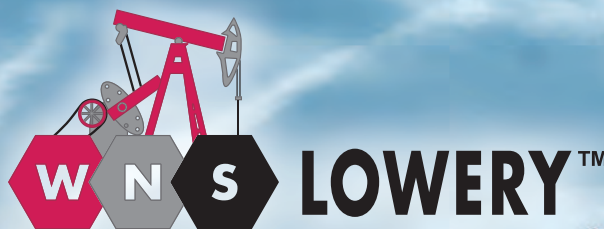
Whittle & Neher Systems

Whittle & Neher Systems, founded in 1984 in Oklahoma City, Oklahoma, is a leading manufacturer of high quality ductile iron, carbon, and stainless steel check valves for oilfield, industrial, and special applications. WNS manufactures a full line of high quality stuffing boxes, pumping & flowing tees, and cone type packing for the oil industry. WNS is committed to producing excellent products at a competitive price.

WNS Lowery™

In 2018, Whittle & Neher Systems acquired Lowery Wellheads to expand its oilfield product line. Whittle & Neher is best known for its diverse oilfield and industrial check valve product lines. The synergistic combination of Whittle & Neher and Lowery Wellheads created WNS Lowery™ offering a broad single-source product line with quality and value pricing. WNS Lowery™ has a proud history of providing outstanding Made-in-USA products for the oil industry. Through our commitment to quality and knowledge of the oil industry, we continue to set the mark other companies try to match.

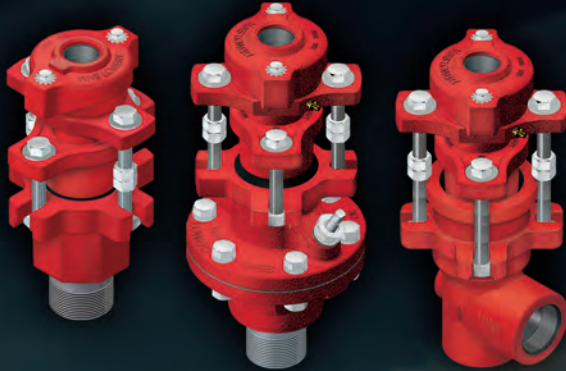
WNS Lowery™ is part of the Marsh Bellofram Group of Companies. Marsh Bellofram is a diversified industrial manufacturer with operations in the United States, United Kingdom, China, and India. Marsh Bellofram provides WNS Lowery™ with management expertise, growth capital, engineering and manufacturing support, sourcing services, and administrative functions.



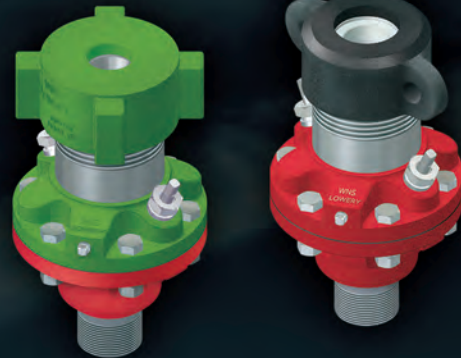
Tough You Can Trust

TOUGH STUFF

WNS Lowery™ manufactures the toughest stuffing boxes available in the oil industry today. Undoubtedly one of the more critical components on a rod lift application, stuffing boxes house the seal that keeps production fluids in flow lines and out of the environment. WNS Lowery™ offers a wide variety of boxes to meet your requirements.



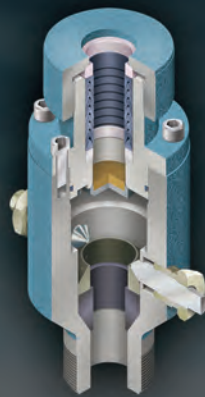
Standard Style Stuffing Boxes Page 4



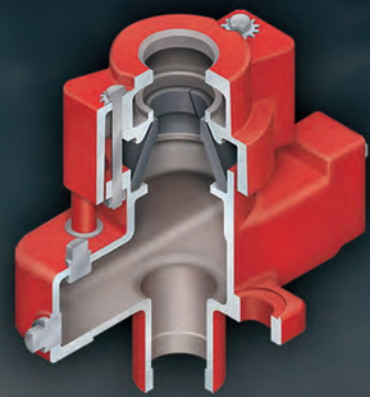
Performance Style Stuffing Boxes Page 6



Pollution Control Stuffing Boxes Page 8



Hybrid Flapper Stuffing Box Page 10



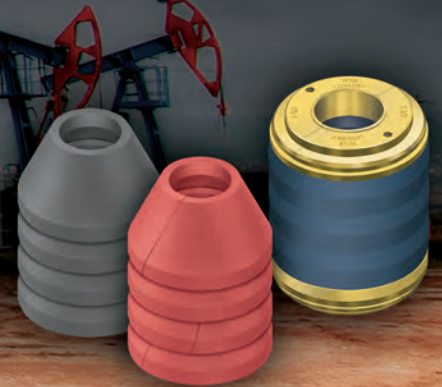
Oil Reservoir Gland Page 11



High Efficiency Lubricating Upper Gland Page 12



Shut Down Control Device Page 14



Standard and Performance Style Packing Page 15

WNS Lowery™ stocks a variety of sizes and materials to meet the rigorous demands of the oil industry.

Tough You Can Trust

Standard Style Stuffing Boxes

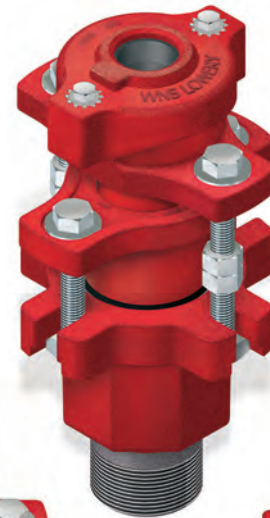
The WNS Lowery™ Standard Style Stuffing Boxes offer an economical solution to sealing off a rod lift well. The industry standard design has proven dependability when operating at 1500 PSI working pressure. There are numerous combinations of bodies and packing to work in most applications. All units can be fitted with an Oil Reservoir Gland or HE-LUG to improve the performance of the unit and reduce costly maintenance. The DPSB can also be fitted with a Pollution Control Base to seal off the unit if the polished rod were to fail.

Features

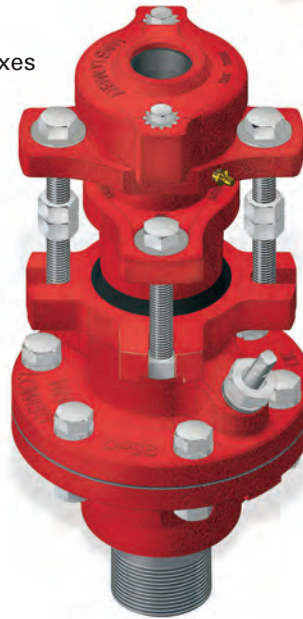
- 1500 PSI Working Pressure
- Industry Standard Design
- Design allows up to 3° pumping unit misalignment
- Optional Oil Reservoir Gland on all standard style stuffing boxes
- DPSB enables maintenance to the primary packing while under pressure
- TBSB combines a Stuffing Box and Pumping Tee to eliminate a leak point
- All styles can be converted to an "Inverted" Style Stuffing Box

Specifications

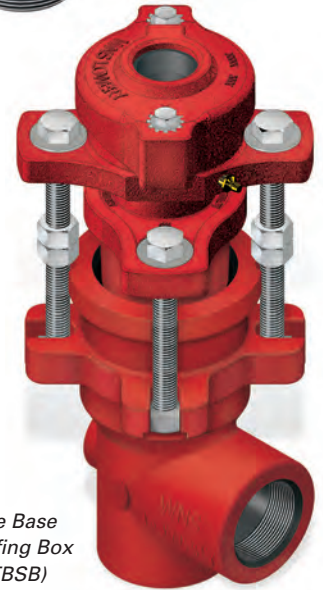
Model	Single Pack	Dual Pack	Tee Base
Working Pressure	1500 PSI		
Material	Ductile Iron		
Bottom Connection Sizes (API or LP)	2", 2 1/2" & 3"		
Bottom Connection	Male	Male	Female
Split Cone Packing Sizes	1", 1 1/8", 1 1/4", 1 5/16", 1 3/8", 1 1/2" & 1 3/4"		
Required Cone Pieces	4 Top 1 Bottom	6 Top 1 Bottom	4 Top 1 Bottom
Approximate Weight	25 lbs.	50 lbs.	35 lbs.



Single Pack Stuffing Box (SPSB)



Dual Pack Stuffing Box (DPSB)



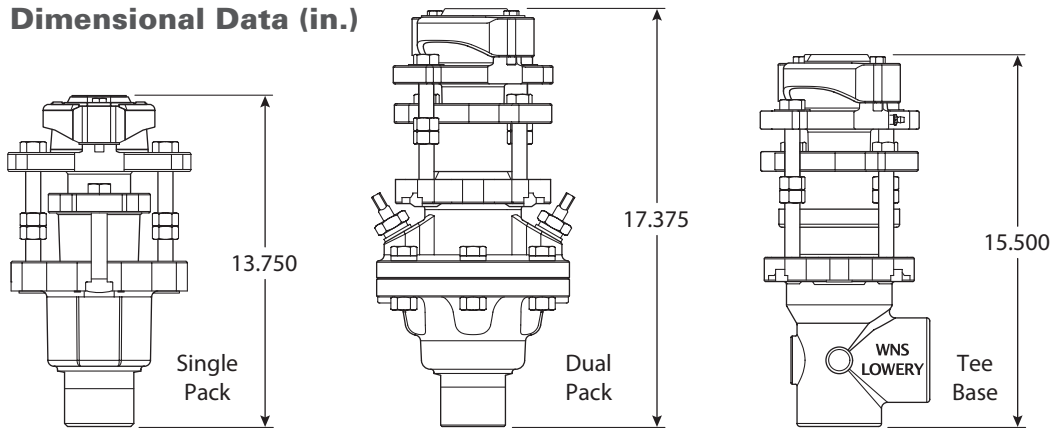
Tee Base Stuffing Box (TBSB)

Selection Matrix

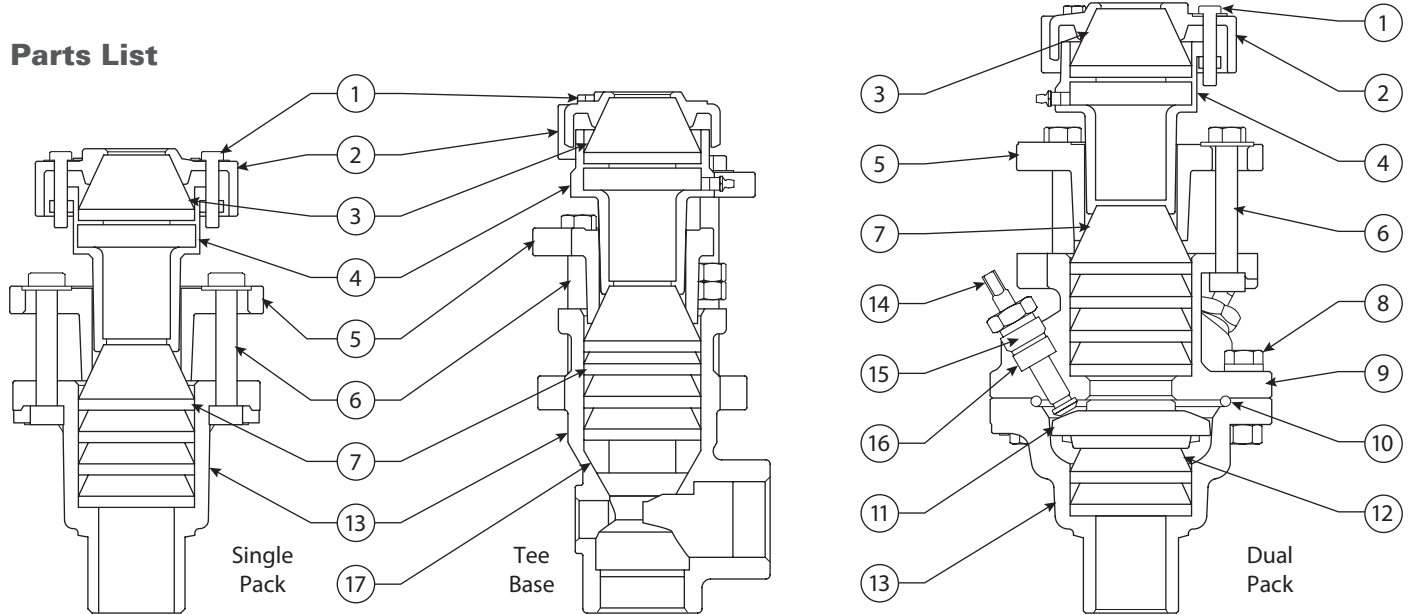
Standard	—		—		—		—	
Style								
Single Pack		SP						
Dual Pack		DP						
Tee Base*		TB						
Mini-Pack		MP						
Bottom Connection								
2" 8R EUE	2-8R	2" 11.5V LP		2-11.5V				
2.5" 8R EUE	2.5-8R	2.5" 8V LP		2.5-8V				
3" 8R EUE	3-8R	2.5" 11.5V LP		2.5-11.5V				
		3" 8V LP		3-8V				
Packing Size								
1"	100	1 1/8"	113	1 1/4"	125	1 5/16"	131	
		1 3/8"	138	1 1/2"	150	1 3/4"	175	
Cone Packing Material								
Soft Cone	Soft	Hard Cone		Hard	Hi Temp Cone		HT	
Gold Flake (Brass Teflon®) Cone		BT	HSN Cone				HSN	
Teflon® Cone	Tef	Kevlar® Brass Cone		KB	EL800 Cone		EL800	
Nitrile Dome	BND	HSN Dome		HSND	Aflas® Dome		AD	
Options								
Inverted	I	Short			S	Coated		C
Pollution Control			PC	HE-LUG				HE

*2 3/8" and 2 7/8" bottom connection only.

Dimensional Data (in.)



Parts List



Item	Description	Qty	Part Number
1	Lube Gland Bolt Set	1	101301
2	Lube Gland Cap	1	1" - 1 ⁵ / ₁₆ "
			1 ³ / ₈ " - 1 ¹ / ₂ "
			1 ³ / ₄ "
3	Top Cone	1	See 7
4	Upper Lube Gland	1	1" - 1 ⁵ / ₁₆ "
			1 ³ / ₈ " - 1 ¹ / ₂ "
			1 ³ / ₄ "
5	Lower Lube Gland	1	112401
6	Lower Lube Bolt Set	2	SP/DP
			Tee Base
7	Soft Cone Packing Set	1	1"
			1 ¹ / ₈ "
			1 ¹ / ₄ "
			1 ⁵ / ₁₆ "
			1 ³ / ₈ "
			1 ⁷ / ₁₆ "
			1 ¹ / ₂ "
1 ³ / ₄ "			
8	DPSB Base/Body Bolts	6	101801
9	DPSB Body	1	100901
10	DPSB O-Ring	1	114401
11	Compression Ring	1	1" - 1 ⁵ / ₁₆ "
			1 ³ / ₈ " - 1 ¹ / ₂ "
			1 ³ / ₄ "

Item	Description	Qty	Part Number
12	Top Cone	2	See 7
13	DPSB Base	1	2" 8RD EUE
			2" 1 ¹ / ₂ " LP
			2 ¹ / ₂ " 8RD EUE
			2 ¹ / ₂ " 1 ¹ / ₂ " LP
			2 ¹ / ₂ " 8V LP
			3" 8RD EUE
			3" 8V LP
	SPSB Base	1	2" 8RD EUE
			2" 1 ¹ / ₂ " LP
			2 ¹ / ₂ " 8RD EUE
			2 ¹ / ₂ " 1 ¹ / ₂ " LP
			2 ¹ / ₂ " 8V LP
			3" 8V LP
	Tee Base, 2" 8RD EUE x 2 ³ / ₈ " 1 ¹ / ₂ "		30400079
	Tee Base, 2 ¹ / ₂ " 8RD EUE x 3 ¹ / ₂ " 8V		30400090
14	Compression Bolt Set	1	101901
15	Compression Nut Set	2	113501
16	Compression Gland Ring Set	2	118901
17	Support Follower	1	305191
18	Upper Lube Bolt Set (Not Shown)	SP/DP	101401
		Tee Base	102001

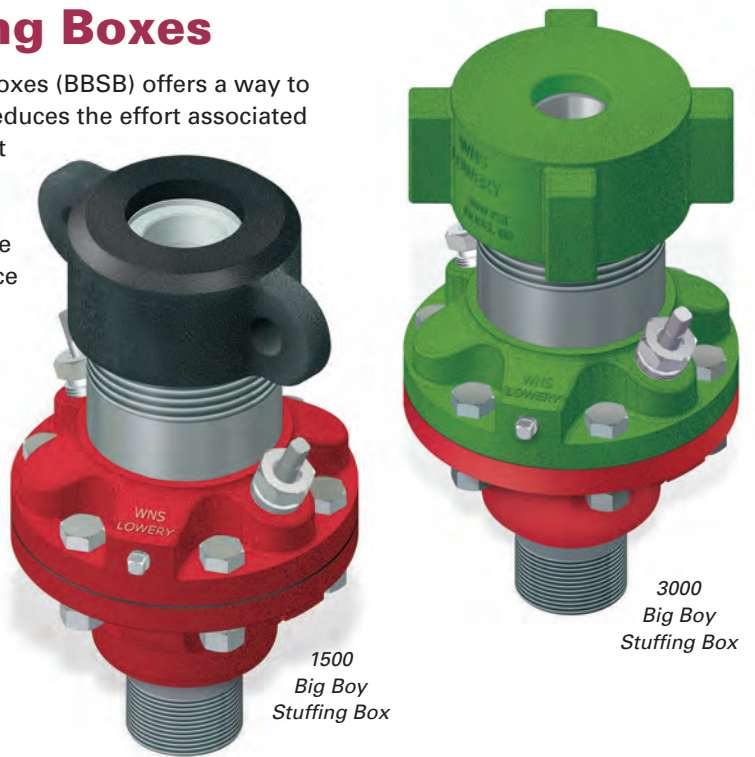
Note: Not all options are shown.

Performance Style Stuffing Boxes

The WNS Lowery™ Performance Style Big Boy Stuffing Boxes (BBSB) offers a way to increase productivity while decreasing cost. The design reduces the effort associated with installation and maintenance by decreasing the effort associated with bolt adjustments, increased corrosion resistance, and ensures even compression on the packing every time. All units can be fitted with a Performance Style HE-LUG to improve the performance of the unit and reduce costly maintenance. The BBSB can also be fitted with a Pollution Control Base to seal off the unit if the polished rod were to fail.

Features

- 1500 & 3000 PSI Working Pressure
- Compression Bolts enable maintenance to the primary packing while under pressure
- Even Packing Pressure and Adjustment
- Decreased Packing Maintenance Time
- Low Profile
- Corrosion Resistant Coatings Available
- Optional Performance Style HE-LUG
- Standard brass split ring reduces polished rod scoring



Specifications

Model	1500 Big Boy	3000 Big Boy
Working Pressure	1500 PSI	3000 PSI
Material	Ductile Iron	WCB Steel
Bottom Connect. Sizes	2", 2½" & 3" (API or LP)	
Bottom Connection	Male	

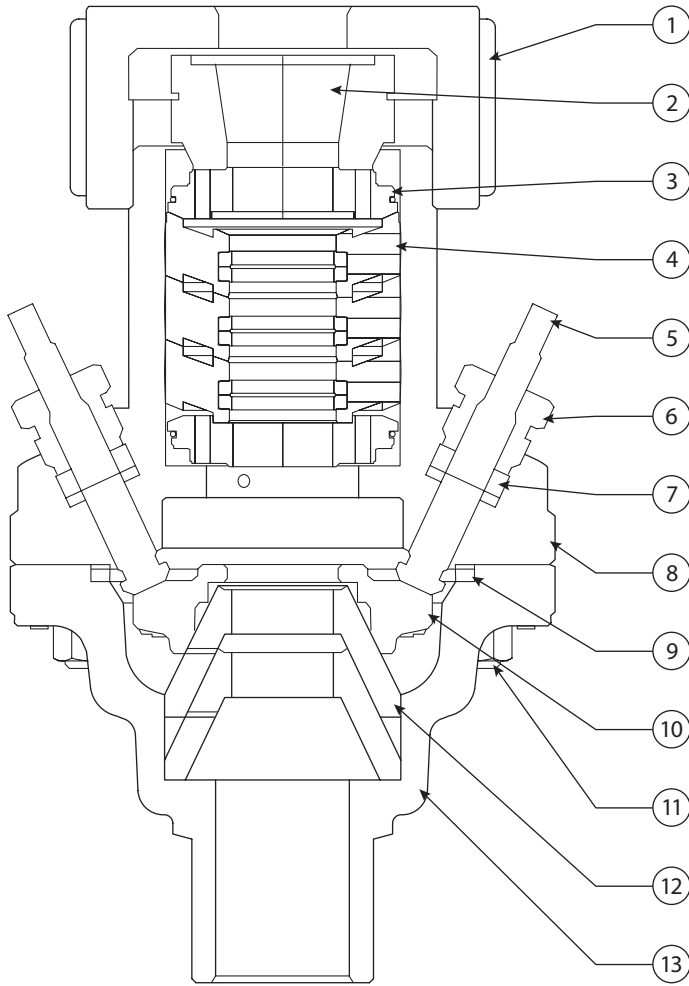
Model	1500 Big Boy	3000 Big Boy
Split Cone Packing Sizes	1", 1½", 1¼", 1½/16", 1¾", 1½/2" & 1¾"	
Required Cone Pieces	5 Top/1 Bottom	
Approximate Weight	45 lbs.	50 lbs.

Selection Matrix

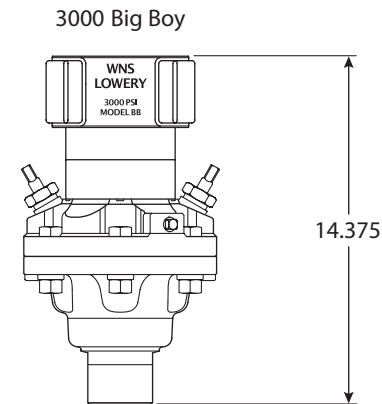
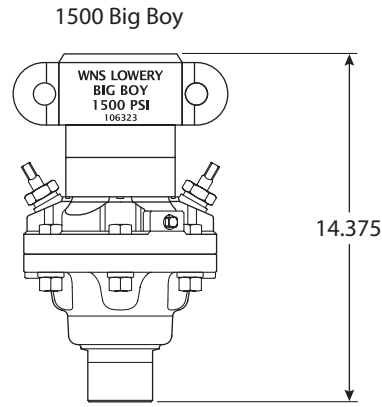
BB	—									
Style										
Single Pack		SP								
Dual Pack		DP								
Working Pressure										
1500 PSI			1500							
3000 PSI			3000							
Bottom Connection										
2" 8R EUE	2-8R	2" 11.5V LP		2-11.5V						
2.5" 8R EUE	2.5-8R	2.5" 8V LP		2.5-8V						
3" 8R EUE	3-8R	2.5" 11.5V LP		2.5-11.5V						
		3" 8V LP		3-8V						
Packing Size										
1"	100	1½/8"	113	1¼"	125	1½/16"	131			
		1¾"	138	1½/2"	150	1¾"	175			
Primary Packing Material / Style										
Soft Cone	Soft	Hard Cone		Hard	Hi Temp Cone		HT			
Gold Flake (Brass Teflon®) Cone		BT	HSN Cone				HSN			
Teflon® Cone	Tef	Kevlar® Brass Cone		KB	EL800 Cone		EL800			
Nitrile Dome	BND	HSN Dome		HSND	Aflas® Dome		AD			
Secondary Packing Material										
Soft Cone	Soft	Hard Cone		Hard	Hi Temp Cone		HT			
Gold Flake (Brass Teflon®) Cone		BT	HSN Cone				HSN			
Teflon® Cone	Tef	Kevlar® Brass Cone		KB	EL800 Cone		EL800			
Options										
Coated			C	HE-LUG						HE

Note: Consult factory for all options. Dome packing is required for 3000 PSI; cone packing for 1500 PSI models only.

Parts List



Dimensional Data (in.)



Item	Description	Qty	Part Number
1	Top Cap	1500	106323
		3000	106360
2	Compression Cone	1"-1 ⁵ / ₁₆ "	119063
		1 ³ / ₈ "-1 ¹ / ₂ "	119067
		1 ³ / ₄ "	119068
3	Bronze Ring Set (Dome Packing Only)	1"-1 ⁵ / ₁₆ "	119023
		1 ³ / ₈ "-1 ¹ / ₂ "	119027
		1 ³ / ₄ "	119028
4	Soft Cone Packing (1500 PSI Models Only)	1"	114501
		1 ¹ / ₈ "	114502
		1 ¹ / ₄ "	114503
		1 ⁵ / ₁₆ "	114504
		1 ³ / ₈ "	114505
		1 ⁷ / ₁₆ "	114506
		1 ¹ / ₂ "	114507
	Buna-N Dome Packing (3000 PSI Models Only)	1 ³ / ₄ "	114508
		1"	114521
		1 ¹ / ₈ "	114522
		1 ¹ / ₄ "	114523
		1 ⁵ / ₁₆ "	114524
		1 ³ / ₈ "	114525
		1 ⁷ / ₁₆ "	114526
	1 ¹ / ₂ "	114527	
	1 ³ / ₄ "	114528	

Item	Description	Qty	Part Number
5	Compression Bolt Set	1	101901
6	Compression Nut Set	1	113501
7	Compression Gland Ring Set	1	118901
8	Body	1500	100912
		3000	100922
9	O-Ring	1	114401
10	Compression Ring	1"-1 ⁵ / ₁₆ "	119001
		1 ³ / ₈ "-1 ¹ / ₂ "	119002
		1 ³ / ₄ "	119003
11	Body Bolt Set	1	101801
12	Packing (Cone Style Only)	1	See 4
13	1500/3000 Base	2" 8RD EUE	100301
		2" 11 ¹ / ₂ " LP	100302
		2 ¹ / ₂ " 8RD EUE	100303
		2 ¹ / ₂ " 11 ¹ / ₂ " LP	100304
		2 ¹ / ₂ " 8V LP	100305
		3" 8RD EUE	100306
		3" 8V LP	100307
14	Square Plug (Not Shown)	2	117505

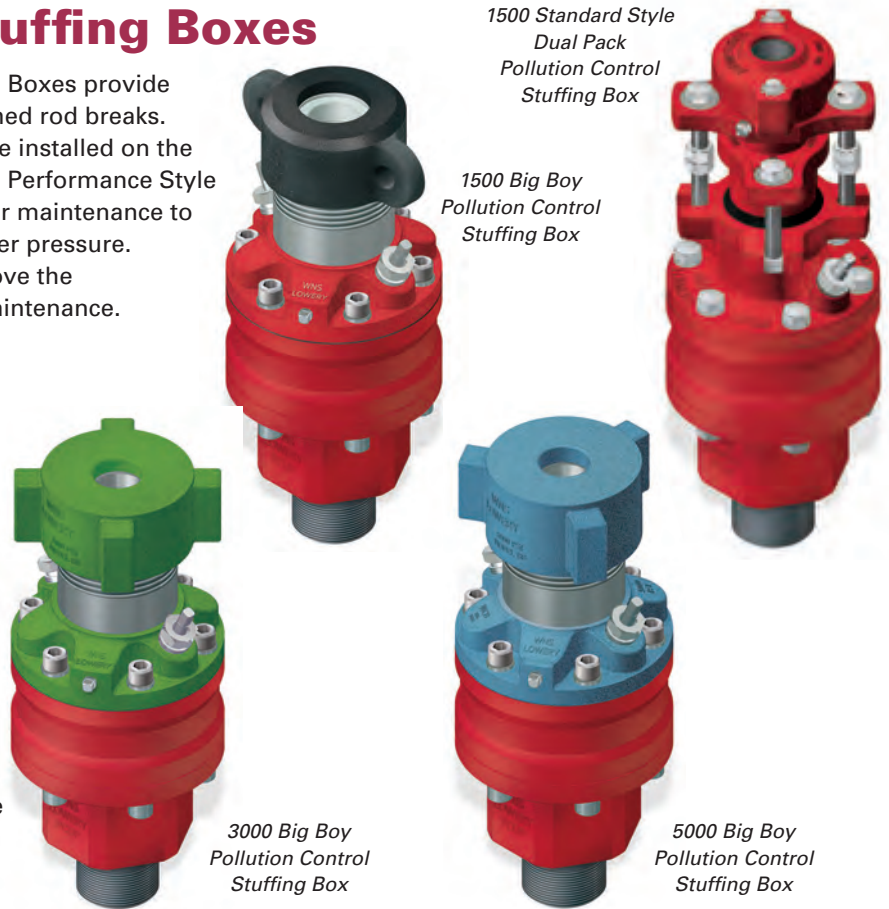
Note: Not all options are shown.

Pollution Control Stuffing Boxes

The WNS Lowery™ Pollution Control Stuffing Boxes provide an automatic way to seal the well if the polished rod breaks. The Pollution Control Base and Flapper can be installed on the Standard Style Dual Pack Stuffing Box and all Performance Style Big Boy Stuffing Boxes. This design allows for maintenance to the primary packing while the unit is still under pressure. All units can be fitted with a HE-LUG to improve the performance of the unit and reduce costly maintenance.

Features

- 1500, 3000, & 5000 PSI Working Pressure
- Flapper automatically closes and seals if the Polished Rod were to break
- Flapper is made of brass to reduce wear to the polished rod under normal operation
- Dome style primary packing allows for wide range of applications
- Compression Bolts enable maintenance to be performed to the primary packing while under pressure
- Performance Style Big Boy Stuffing Boxes have two 1/4" NPT Ports 180° apart on the body for a grease zerk and pressure gauge
- Optional HE-LUG for Improved Performance



Selection Matrix

		PC		—		—		—	
Style									
Standard Style Dual Pack	DP								
Performance Style Big Boy	BB								
Working Pressure									
1500 PSI			1500						
3000 PSI			3000						
5000 PSI			5000						
Bottom Connection									
2" 8R EUE	2-8R	2" 11.5V LP			2-11.5V				
2.5" 8R EUE	2.5-8R	2.5" 8V LP			2.5-8V				
3" 8R EUE	3-8R	2.5" 11.5V LP			2.5-11.5V				
		3" 8V LP			3-8V				
Packing Size									
1"	100	1 1/8"	113	1 1/4"	125	1 5/16"	131		
		1 3/8"	138	1 1/2"	150	1 3/4"	175		
Primary Packing Material / Style									
Soft Cone	Soft	Hard Cone		Hard	Hi Temp Cone		HT		
Gold Flake (Brass Teflon®) Cone		BT	HSN Cone				HSN		
Teflon® Cone	Tef	Kevlar® Brass Cone		KB	EL800 Cone		EL800		
Nitrile Dome	BND	HSN Dome		HSND	Aflas® Dome		AD		
Secondary Packing Material									
Soft Cone	Soft	Hard Cone		Hard	Hi Temp Cone		HT		
Gold Flake (Brass Teflon®) Cone		BT	HSN Cone				HSN		
Teflon® Cone	Tef	Kevlar® Brass Cone		KB	EL800 Cone		EL800		
Options									
Coated			C	HE-LUG					HE

Note: Consult factory for all options. Dome packing is required for 3000 and 5000 PSI; cone packing for 1500 PSI models only.

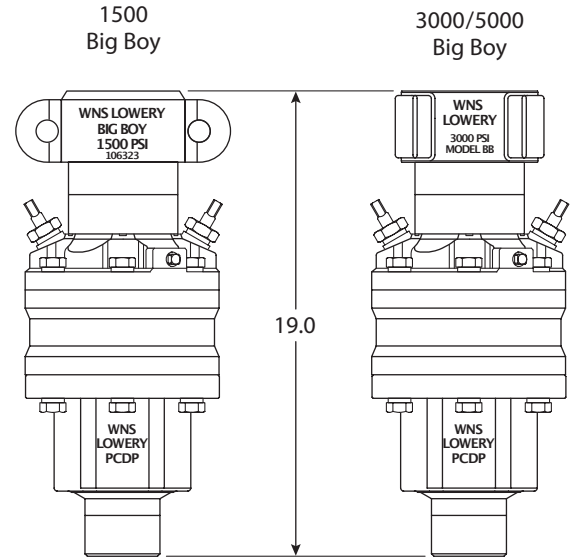
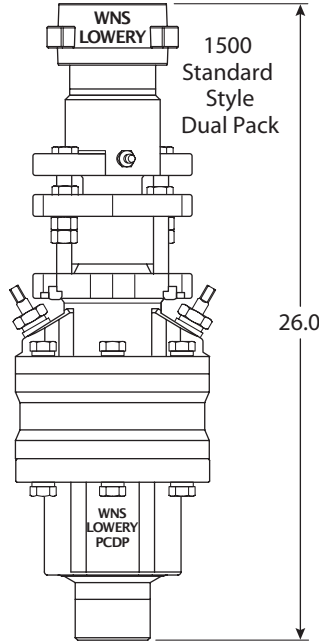
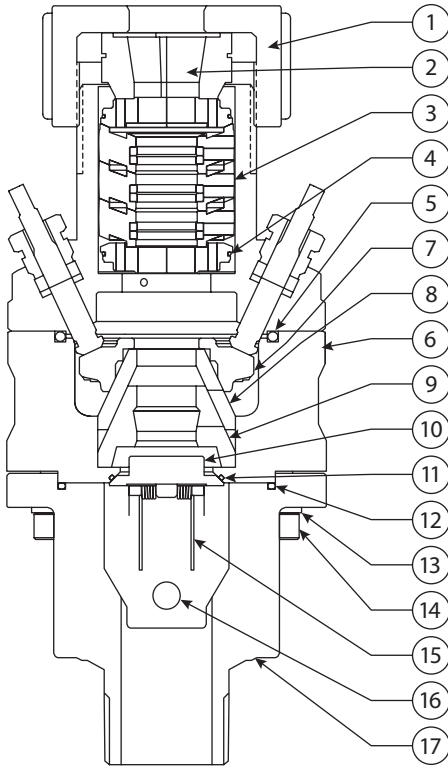
Specifications

Model	DP/1500 Big Boy	3000 Big Boy	5000 Big Boy
Working Pressure	1500 PSI	3000 PSI	5000 PSI
Body Material	Ductile Iron	WCB Steel	
Pollution Control Mat.	Carbon Steel		
Flapper Material	Brass		
Bottom Connect. Sizes	2", 2 1/2" & 3" (API or LP)		

Model	DP/1500 Big Boy	3000 Big Boy	5000 Big Boy
Bottom Connection	Male		
Packing Sizes	1 1/4", 1 1/2" & 1 3/4"		
Packing Required	1 Primary Packing Set, 1 Secondary Bottom Cone & 1 Secondary Top Cone		

Parts List

Dimensional Data (in.)



Item	Description	Qty	Part Number
1	Top Cap	1	1500
			3000
			5000
2	Compression Cone	1	1" - 1 5/16"
			1 3/8" - 1 1/2"
			1 3/4"
3	Buna-N Dome Packing	1	1 1/4"
			1 1/2"
			1 3/4"
4	Bronze Ring Set (Dome Packing Only)	1	1" - 1 5/16"
			1 3/8" - 1 1/2"
			1 3/4"
5	Body O-Ring	1	Buna-N
			Viton®
6	Pollution Control Spool	1	120200
7	Compression Ring	1	1" - 1 5/16"
			1 3/8" - 1 1/2"
			1 3/4"
			1 3/4"
8	Soft Top Cone	1	1 1/4"
			1 1/2"
			1 3/4"
	HSN Top Cone		1 1/4"
			1 1/2"
			1 3/4"

Item	Description	Qty	Part Number
9	Soft Bottom Cone	1	1 1/4"
			1 1/2"
			1 3/4"
	HSN Bottom Cone		1 1/4"
			1 1/2"
			1 3/4"
10	Brass Flapper	1	112070
11	Flapper O-Ring, Viton®	1	114402
12	Base O-Ring, Viton®	1	114403
13 & 14	Base Bolt & Split Washer Assembly	Set of 6	106460
15a	Flapper Springs	1	120210
15b			120211
16	1/2" NPT Square Plug (Not Shown)	2	117503
17	PC Base	1	2" 8RD EUE
			2" 11 1/2V LP
			2 1/2" 8RD EUE
			2 1/2" 11 1/2V LP
			2 1/2" 8V LP
			3" 8RD EUE
18	Body Bolts (Not Shown)	6	100321
			100322
			100323
			100324
			100325
			100326
			100327
			106450

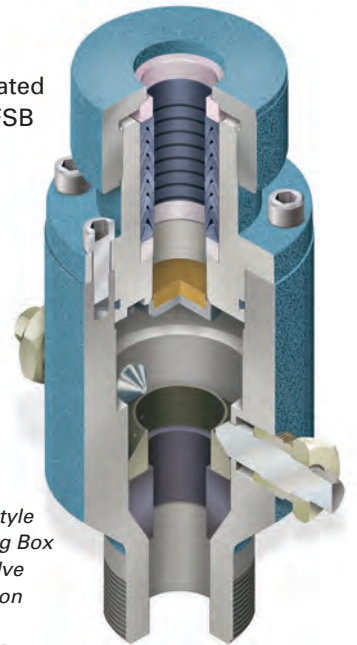
Note: Not all options are shown.

Hybrid Flapper Stuffing Box

The WNS Lowery™ Performance Style Hybrid Flapper Stuffing Box (HFSB) features an integrated flapper valve that enables the automatic sealing of the well if the polished rod breaks. The HFSB provides high pressure capability while also maintaining a low profile. The all steel unit is furnished for sour service (NACE MR0175) standard. The design allows for maintenance to the primary packing while the unit is still under pressure.

Features

- 5000 PSI Working Pressure
- Flapper Valve automatically closes and seals if the Polished Rod were to break
- Flapper is made of steel and aluminum bronze to reduce wear to the polished rod under normal operation
- Compression Bolts enable maintenance to be performed to the primary packing while under pressure
- V-Style primary packing is available for 1 1/4" and 1 1/2" polished rod sizes



5000 Performance Style Hybrid Flapper Stuffing Box with the flapper valve in the closed position

Specifications

Model	5000 lb. Hybrid Flapper Stuffing Box
Working Pressure	5000 PSI
Body Material	4130 Steel
Flapper Material	Aluminum Bronze
Bottom Connect. Sizes	2 3/8", 2 7/8" & 3 1/2" EUE
Bottom Connection	Male
Packing Sizes	1 1/4" & 1 1/2"
Packing Required	1 Primary Packing Set 1 Secondary Packing
Approximate Weight	50 lbs.

Selection Matrix

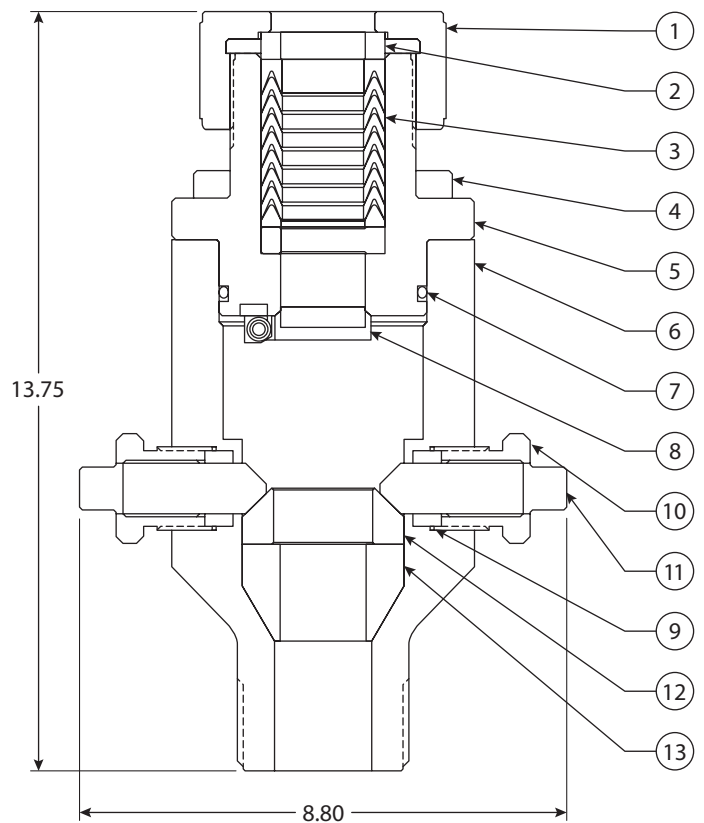
Style	—		—		—	
Performance Style Hybrid Flapper	HF					
Working Pressure	5000	5000				
Bottom Connection						
2 3/8" 8REUE			2-8R			
2 7/8" 8REUE			2.5-8R			
3 1/2" 8R EUE			3-8R			
Packing Size						
1 1/4"	125	1 1/2"	150			
Packing Material						
HSN (Standard)	HSN	Kevlar® Brass	KB			
Options						
Coated	C	HE-LUG	HE			

Note: Consult factory for all options.

Parts List

Item	Description	Qty	Part Number
1	Top Cap	1	106430
2	Teflon® Ring	2	1 1/4"
			1 1/2"
3	HSN V-Packing	1	1 1/4"
			1 1/2"
	Kevlar® Brass V-Packing		1 1/4"
			1 1/2"
4	Body Bolts	6	119151
5	Body	1	100930

Dimensional Data (in.)



Item	Description	Qty	Part Number
6	Base	1	2 3/8" EUE
			2 7/8" EUE
			3 1/2" EUE
7	Body O-Ring, HSN	1	114413
8	Flapper Assembly	1	112071
9	Lock Down Bolt Packing, HSN	2	118911
10	Lock Down Nut	2	113521
11	Lock Down Bolt	2	101921
12	Compression Ring	1	119009
13	Secondary Packing, HSN	1	1 1/4"
			1 1/2"

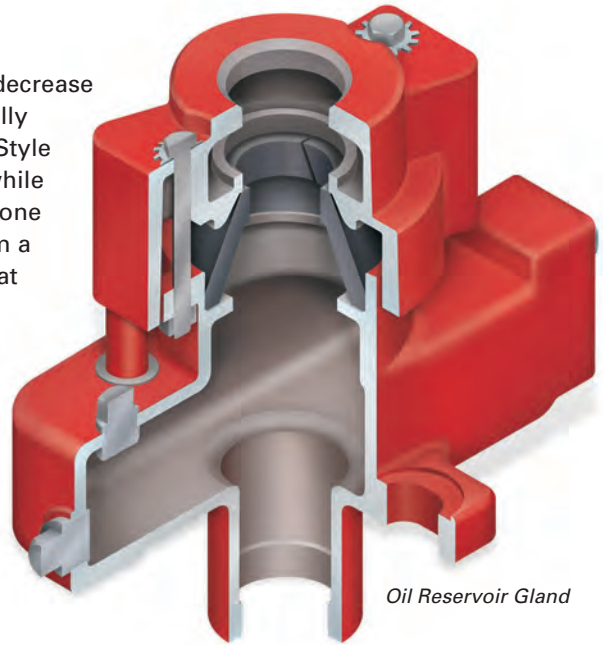
Note: Not all options are shown.

Oil Reservoir Gland

The WNS Lowery™ Oil Reservoir Gland (ORG) provides an option to decrease wear and maintenance while also promoting clean and environmentally friendly well site hookup. The ORG can be installed on any Standard Style Stuffing Box by replacing the Upper LUB or the HE-LUG on the unit while still allowing up to 3° pumping unit misalignment. The ORG can hold one quart of oil that provides a consistent oil film on the polished rod from a top cone wiper installed in the unit. The ORG is also ideal for wells that pump or flow off and can be used in conjunction with a Shut Down Control Device to prevent spills and leaks.

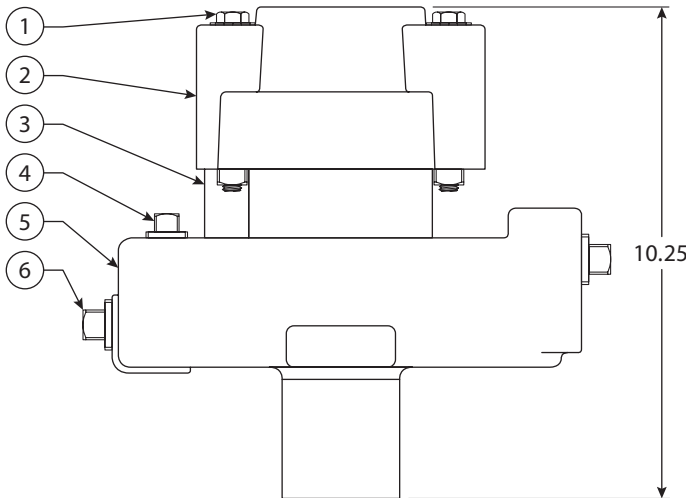
Features

- Fits Any WNS Lowery™ Standard Style Stuffing Box
- Ideal for wells that pump or flow off
- Ports allow use with a Shut Down Control Device
- One-Quart Oil Reservoir Capacity
- Top cone wiper controls oil film on polished rod
- Available in 1" - 1 3/4" Rod Sizes



Oil Reservoir Gland

Dimensional Data (in.)/Parts List



Specifications

Model	Oil Reservoir Gland
Material	Ductile Iron
Capacity	One Quart
Cone Packing Sizes	1", 1 1/8", 1 1/4", 1 5/16", 1 3/8", 1 1/2" & 1 3/4"
Approximate Unit Weight	20 lbs. Empty

Selection Matrix

		ORG	—	
Cone Packing Size (Buna-N Standard)				
1"	100	1 1/8"	113	
		1 1/4"	125	
1 5/16"	131	1 3/8"	138	
1 1/2"	150	1 3/4"	175	

Item	Description	Qty	Part Number	
1	Gland Bolt Set	1	102201	
2	Oil Reservoir Cap	1	Small	106401
			Medium	106402
			Large	106403
3	Drain Nipple	1	113401	
4	1/2" Plug	1	117503	
5	Oil Reservoir Body	1	Small	101201
			Medium	101202
			Large	101203
6	3/4" Plug	2	117504	
7	Body Seal (Not Shown)	1	119851	
8	Cone Packing (Not Shown)	1	1"	115601
			1 1/8"	115602
			1 1/4"	115603
			1 5/16"	115604
			1 3/8"	115605
			1 7/16"	115606
			1 1/2"	115607
			1 3/4"	115608

Note: Not all options are shown. Consult Factory for additional options.

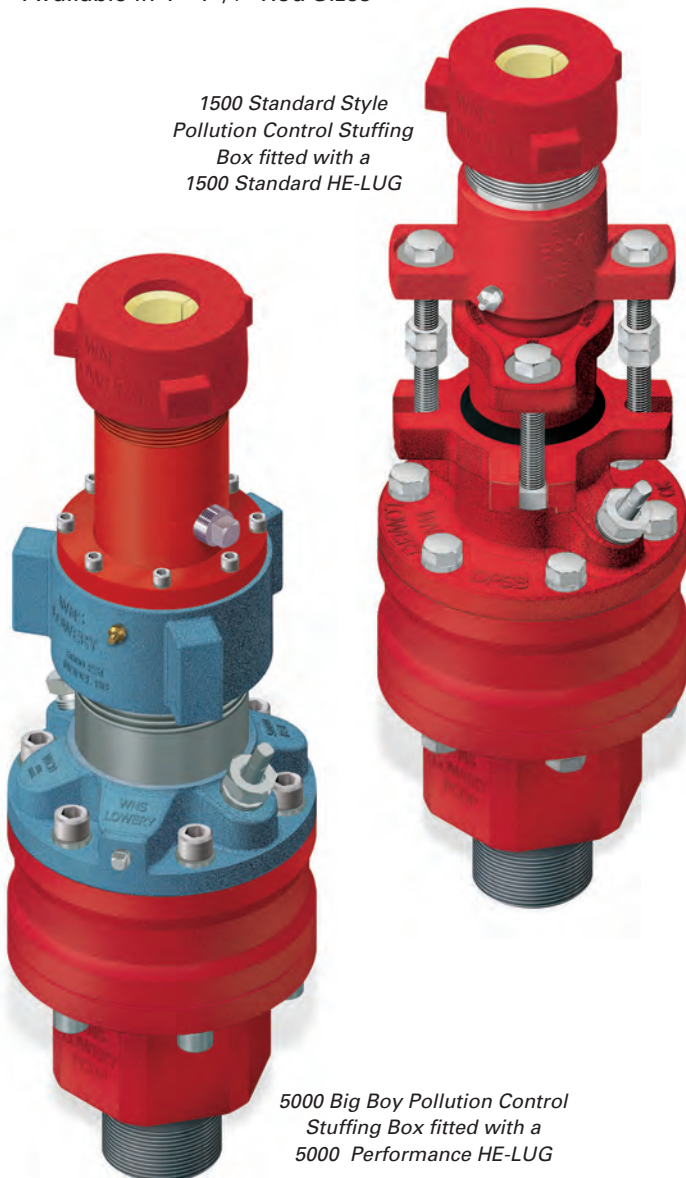


High Efficiency Lubricating Upper Gland

The WNS Lowery™ High Efficiency Lubricating Upper Gland (HE-LUG) provides a great secondary seal for the Standard Style and Performance Style Stuffing Boxes. The HE-LUG provides the best industry design of the leak detection glands by promoting clean and environmentally friendly well site hookup. The HE-LUG can be used in conjunction with a Pollution Control Base to minimize any potential leaks during standard operation and/or potential well failure. The Standard Style HE-LUG design allows for up to 3° pumping unit misalignment. The Performance Style HE-LUG modified flange design allows the unit to rotate, decreasing wear to the packing and polished rod, while also eliminating the potential of the Performance Style HE-LUG to separate from the Stuffing Box.

Features

- Fits any WNS Lowery™ Standard Style and Performance Style Stuffing Box
- Provides an additional upper seal for the Stuffing Box
- Teflon® Lower and Upper Packing Rings decrease wear on the Polished Rod
- Uses V-Ring Style Packing
- Available in 1"-1 3/4" Rod Sizes



5000 Big Boy Pollution Control Stuffing Box fitted with a 5000 Performance HE-LUG



Standard HE-LUG

1500/3000 Performance HE-LUG

5000 Performance HE-LUG

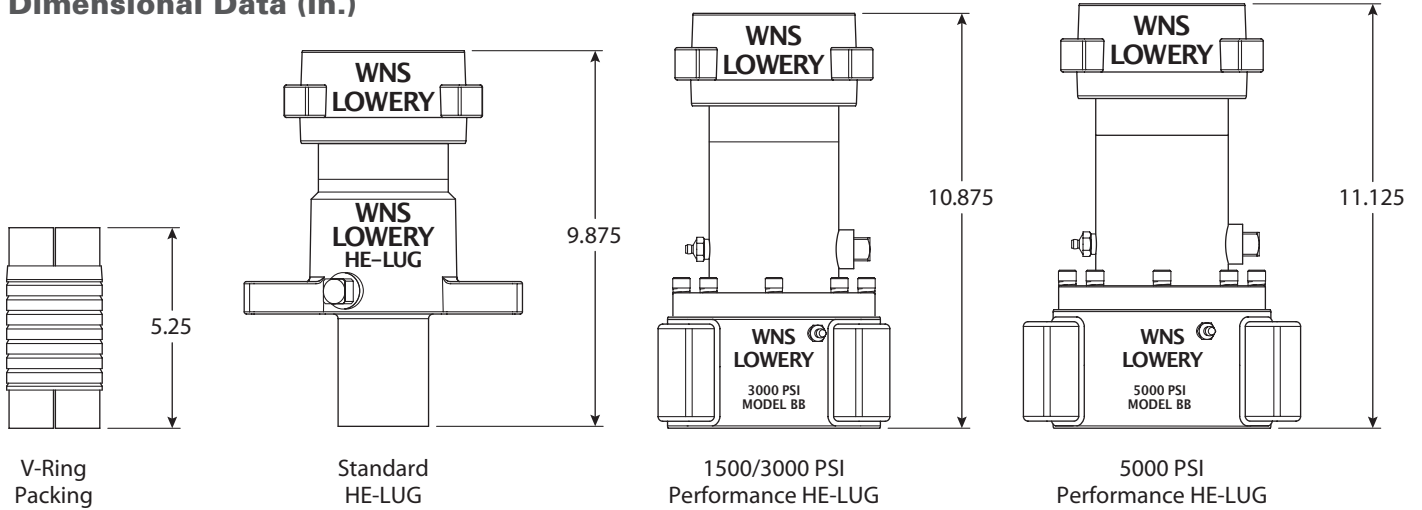
Specifications

Model	Standard HE-LUG	Performance HE-LUG
Body/Cap Material	Ductile Iron	
Nut	N/A	Alloy Steel
V-Ring Packing Sizes	1", 1 1/8", 1 1/4", 1 5/16", 1 3/8", 1 1/2" & 1 3/4"	
Approximate Weight	18 lbs.	1500/3000 30 lbs. 5000 29 lbs.

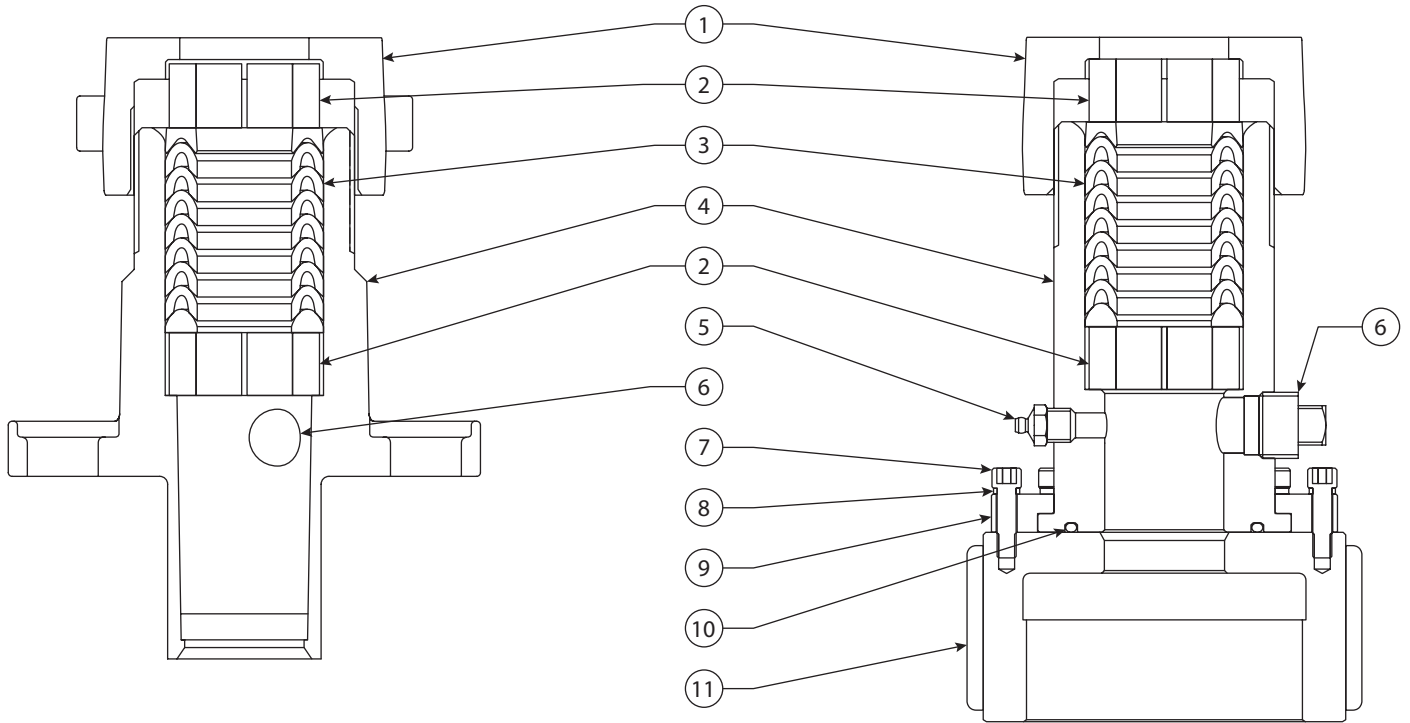
Selection Matrix

Style		—		—	
1500 lb. Standard	15S				
1500 lb. Performance	15P				
3000 lb. Performance	30P				
5000 lb. Performance	50P				
V-Ring Packing Size					
1"	100	1 1/8"		113	
1 1/4"	125	1 5/16"		131	
1 3/8"	138	1 1/2"		150	
1 3/4"				175	
Packing Material					
Buna-N	Buna	HSN		HSN	

Dimensional Data (in.)



Parts List



Standard & Performance HE-LUG				
Item	Description	Qty	Part Number	
1	HE-LUG Cap	1	106412	
2	Teflon® Ring	2	1" - 1 1/4"	120334
			5/16" - 1 3/8"	120335
			1 1/2"	120337
			3/4"	120338
3	V-Ring Packing	1	1"	117101
			1 1/8"	117102
			1 1/4"	117103
			5/16"	117104
			3/8"	117105
			7/16"	117106
			1 1/2"	117107
	3/4"	117108		

Standard & Performance HE-LUG				
Item	Description	Qty	Part Number	
4	HE-LUG Body	1	Standard	101204
			Performance	101207
5	Grease Zerk (Not Shown on Std.)	1	170007	
6	Plug	1	117504	
Performance HE-LUG Only				
Item	Description	Qty	Part Number	
7	Flange Bolt	8	119150	
8	Split Ring	8	150500	
9	Flange	1	112090	
10	O-Ring	1	114412	
11	Performance Cap	1	1500/3000	106365
			5000	106375
12	Grease Zerk (Not Shown)	1	170006	

Note: Not all options are shown.

Shut Down Control Device

The WNS Lowery™ Shut Down Control Device (SDCD) provides an automatic way to shut down a well site in the case of leaks. The SDCD reduces the costs associated with leaks, clean up, and continuous monitoring. The SDCD can be installed on Standard, Performance Stuffing Boxes with a HE-LUG installed, or on Standard Stuffing Boxes with an Oil Reservoir Gland. The Shut Down Control Device is explosion proof per NEC Class I, Division I. An optional Split Housing Adapter is available to retrofit any Standard Style Stuffing Box. A secondary cone packing is installed in the adapter to prevent outside liquids from entering the SDCD and avoid accidental shut offs. The 3/4" NPT pipe nipple allows installation on all HE-LUGs.

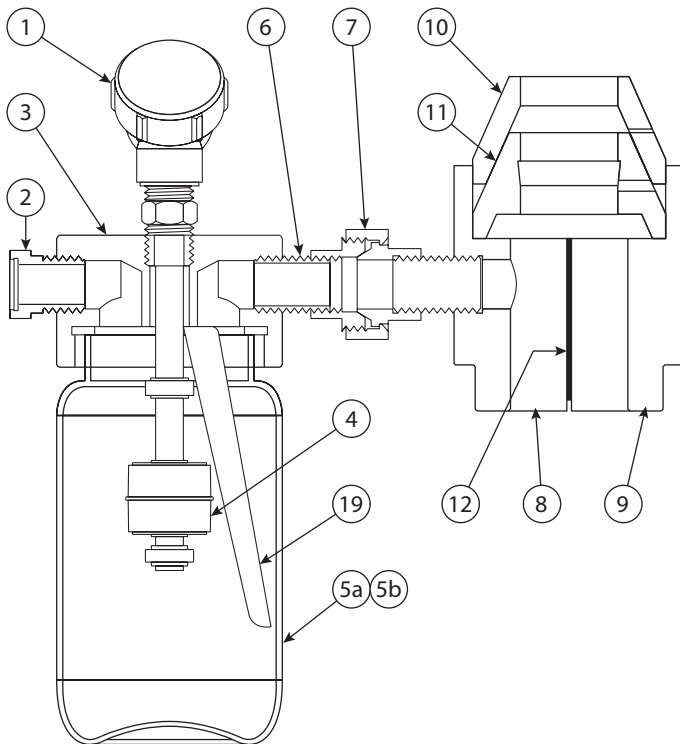
Features

- Meets NEC Class I, Division I
- Stainless Steel Reservoir Available
- Reduces spills due to leakage
- Automatic well shut down caused by excessive leaking
- Normally Open and Closed Contacts
- Compatible with all Standard Style Stuffing Boxes and HE-LUGs



Shut Down Control Device with optional split reservoir

Parts List



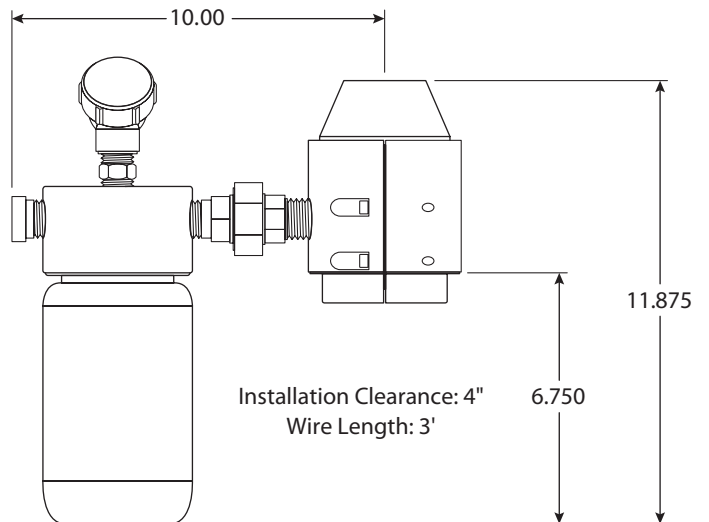
Item	Description	Qty	Part Number
1	Electrical Connection Box	1	103050
2	Vent Assembly	1	135000
3	Reservoir Holder	1	112750
4	Liquid Level Switch, SPDT	1	118691
5a	Reservoir	1	Clear
5b			304 SS
6	3/4" Nipple	2	112908
7	3/4" Union	1	122010
8	Adapter Reservoir 1/2	1	090501
9	Adapter Oil Fill 1/2	1	090502
10	Top Cone Packing	1	115607
11	Lower Cone Packing	1	115507

Selection Matrix

	SDCD	—	—
Cone Packing Size (Buna-N Std.)			
No Adapter	0	1"	100
1 1/8"	113	1 1/4"	125
1 5/16"	131	1 3/8"	138
1 1/2"	150	1 3/4"	175
Reservoir Material			
Plastic (Standard)	P	Stainless Steel	SS

Note: Consult Factory for additional options.

Dimensional Data (in.)



Item	Description	Qty	Part Number
12	Side Adapter Seals	2	119861
13	Lower Adapter Seals (Not Shown)	2	119811
14	Mounting Bolts, 3 1/8" x 6" (Not Shown)	2	102211
16	Retainer Ring (Not Shown)	2	118711
17	3/16" Allen Wrench (Not Shown)	1	170001
18	String (Not Shown)	1	120331
19	Guard	1	—

Shut Down Control Device (continued)

Physical/Electrical Specifications

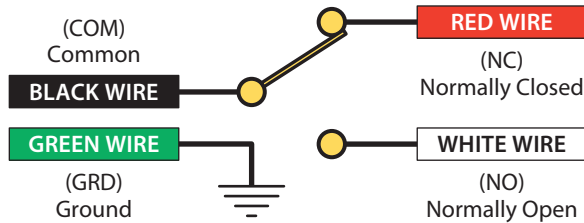
Model	Shut Down Control Device
Rating	NEC Class I, Division I
Housing Material	Anodized 6061 Aluminum
Reservoir Material	Plastic or Stainless Steel
Reservoir Capacity	1 Quart Maximum
Connection	Split Housing Adapter/3/4" NPT Male
Packing Sizes	1", 1 1/8", 1 1/4", 1 5/16", 1 3/8", 1 1/2" & 1 3/4"
Packing Required	1 Bottom Cone & 1 Top Cone
Ambient Temperature	Storage: -40°F (-40°C) to 250°F (125°C) Operation: -10°F (-25°C) to 225°F (109°C)
Switch Type	SPDT
Maximum Watts	100W
Voltage Switching VDC	120V Maximum
Voltage Breakdown VDC	150V Minimum
Current Switching Amp	3A Maximum
Current Carry Amp	3.6A Maximum

SDCD Installed on a DPSB, shown with clear reservoir.



SDCD installed on a 3000 BB HE-LUG, shown with optional 304 SS reservoir.

Wiring Diagram (SPDT)



Standard & Performance Style Packing

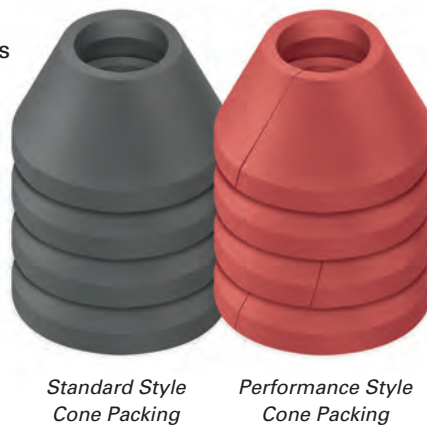
Packing is the most important component within Standard and Performance Style Stuffing Boxes. This packing is engineered to perform in ever-changing well conditions, ensuring a constant seal of a rod lift well. Cone and Dome Packing are available in all polished rod sizes from 1" through 1 3/4" sets. Cone Packing sets consists of 3 top cones and 1 bottom cone. Dome Packing sets consists of 3 domes.

Standard Style Cone Packing

- **Soft Cone** Ideal for sweet crude production with high oil-to-water ratios and low levels of abrasives.
- **Hard Cone** Ideal for sweet crude production with low oil-to-water ratios.
- **Gold Flake** Brass filled cone packing is best suited for medium to heavy oil production. Good for handling moderate heat and reducing polished rod scale build up.
- **Teflon® Filled** Ideal for sweet crude production with long strokes and rapid pumping cycles. Provides reduced polish rod noise for noise-sensitive areas.
- **Hi Temp** Designed for use in steam injection wells that produce sweet crude.
- **HSN** Well suited for higher gas-to-oil ratios than conventional general service packing. Designed to withstand increased production temperatures for extended periods of time as well as H₂S and CO₂ wells.

V Style Packing

- NBR and HSN available for use in the Standard and Performance HE-LUG.



Performance Style Cone & Dome Packing

- **Extended Life 800 Polyurethane Cone**
Polymer packing engineered applications with high water cut. Chemical makeup is designed to work well against gas decompression. Good abrasion resistance.

- **Kevlar® Brass Cone** Ideal for sweet crude oil production with high oil-to-water ratios. Specifically designed with reinforced sealing area for high abrasive fluids. Good in CO₂, H₂S, and steam applications.
- **Dome Packing** A low coefficient of friction reduces drag and heat generation from the polished rod. Excellent chemical and wear resistance in most well conditions. Fits all WNS Lowery™ Cone Packing Stuffing Boxes with a one-time conversion kit. Available in Nitrile, HSN, or AFLAS® standard. Kevlar® Brass available by special order.



Performance Style Dome Packing

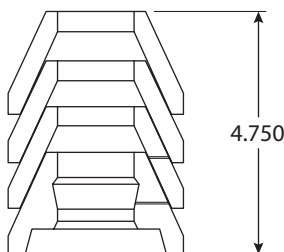
Standard & Performance Style Packing (continued)

Specifications

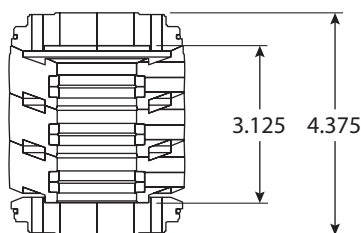
Standard Style Cone Packing	Soft	Hard	Gold Flake	Teflon® Filled	Hi Temp	HSN	WN-H
ASTM Type	SBR				NBR	HNBR	EPDM
Max Service Temp w/H ₂ S & CO ₂ below 1%	160°F/71°C				300°F/149°C	325°F/163°C	425°F/218°C
Max Concentration Limits of H ₂ S	2%					10%	5%
Max Concentration Limits of CO ₂	Not Rated				25%	20%	Not Rated
Max Service Temp with H ₂ S & CO ₂ at Max Concentration Limits	120°F 49°C				250°F 121°C		350°F 177°C
Resistance to Explosive Decompression in CO ₂ up to 20%	Poor				Good	Excellent	Poor
Performance in Steam Environments							Good
Mechanical Tear & Abrasion Resistance	Good				Excellent		Fair

Performance Style Cone & Dome Packing	Extended Life 800	X-TRA Gold	Kevlar® Brass	Nitrile Dome	HSN Dome	Aflas® Dome
ASTM Type	Polymer	SBR	XNBR	NBR	HNBR	TFEP
Max Service Temp w/H ₂ S & CO ₂ below 1%	250°F/121°C	225°F/107°C	500°F/260°C	250°F/121°C	325°F/163°C	450°F/232°C
Max Concentration Limits of H ₂ S	97+%	2%	10%	2%	10%	35%
Max Concentration Limits of CO ₂	97+%	Not Rated	10%	5%	10%	15%
Max Service Temp with H ₂ S & CO ₂ at Max Concentration Limits	250°F 121°C	160°F 71°C	325°F 162°C	150°F 65°C	300°F 149°C	350°F 177°C
Resistance to Explosive Decompression in CO ₂ up to 20%	Not Rated	Not Rated	Good	Fair	Excellent	Fair
Performance in Steam Environments		Fair		Poor	Excellent to Good	Excellent
Mechanical Tear & Abrasion Resistance	Excellent			Good	Excellent	Fair
Approximate Weight	Std. & Performance Cone /1.5 lbs., Dome w/Bronze Rings/2.5 lbs., Dome w/o Bronze Rings/0.5 lb.					

Dimensional Data (in.)



Standard & Performance Style Cone Packing



Performance Style Dome Packing With & Without Bronze Rings

Protect Your Investment With Z-PEX Coating

WNS Lowery™ offers the Z-PEX bonding system to withstand new production techniques produced by enhanced recovery, stimulation chemistry, and specialty chemical products. The flexible Z-PEX system has a heat resistance of 550°F, is resistant to corrosive chemicals, and can be applied to the interior, exterior, and threads of WNS Lowery™ valves, stuffing boxes, and pumping tees. Z-PEX is an effective alternative to expensive special alloy steels and provides maximum service life for your equipment.



LOWERY™

2221 SE 69th St.
Oklahoma City, OK 73149
www.wnsoilfield.com

Tel: 405-677-7222
Toll Free: 1-800-833-3127
sales@wnsoilfield.com

Tough You Can Trust

WNS Lowery™ manufactures and stocks a large inventory of high quality rugged, dependable and field proven American made products for the oil industry. You can depend on our team of seasoned professionals to assist you with selecting the most dependable and economical solution for your application requirements.

WNS Lowery™ offers Tubing & Casing Wellheads, Accessories & Flanges, Rod Accessories, Pumping Tees, Lubricators, Clamps, Blow Out Preventors, Chokes, Ball and Swing Style Check Valves, and Back Pressure Regulators.