

---

## Standard Style Stuffing Boxes

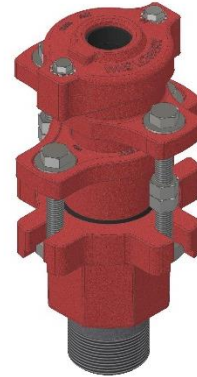
The WNS Lowery Standard Style Stuffing Boxes offer an economical solution to sealing off a rod lift well. The industry standard design has a proven dependability when operating at a 1500 psi working pressure. There are numerous combinations of bodies and packing to work in most applications. All units can be fitted with an Oil Reservoir Gland or HE-LUG to improve the performance of the unit and reduce costly maintenance. The DPSB can also be fitted with a Pollution Control Base to seal off the unit if the polished rod were to fail.

### Features:

- 1500 PSI working pressure.
- Industry standard design
- Design allows up to 3° pumping unit misalignment
- Optional Oil Reservoir Gland on all style stuffing boxes
- DPSB enables maintenance to the primary packing while under pressure.
- TBSB combines a Stuffing Box and Pumping Tee to eliminate a leak point.
- All styles can be converted to an “Inverted” Style Stuffing Box

### Applications:

- Pressure Control
- Artificial Lift



Single Pack Stuffing Box (SPSB)



Dual Pack Stuffing Box (DPSB)



Tee Base Stuffing Box (TBSB)

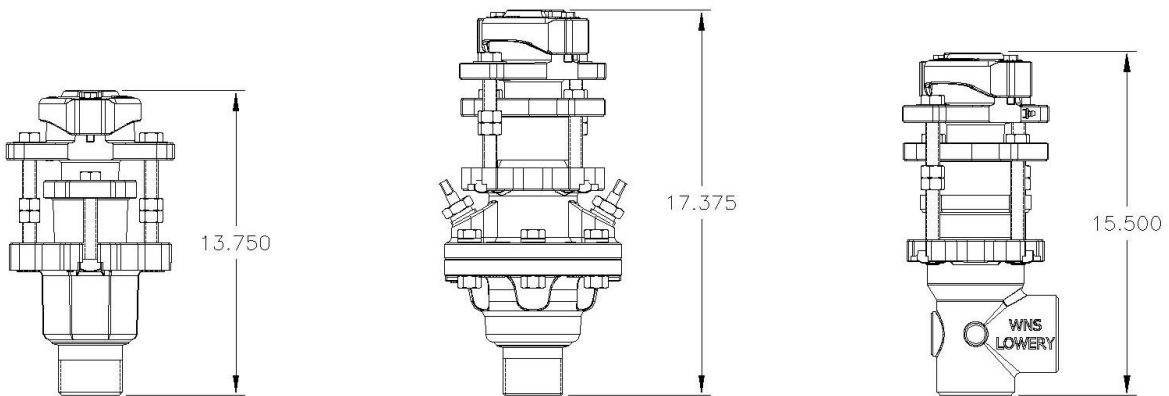


WNS Lowery  
 2221 SE 69<sup>th</sup> St  
 Oklahoma City, OK 73149  
 (405) 677-7222

### Specifications

	SPSB	DPSB	TBSB
Working Pressure	1500 PSI		
Material	Ductile Iron		
Bottom Connection Sizes (API or LP)	2", 2 1/2", 3"		
Bottom Connection	Male	Male	Female
Split Cone Packing Sizes	1", 1 1/8", 1 1/4", 1 5/16", 1 3/8", 1 1/2", & 1 3/4"		
Pieces Required	4 Top Cones 1 Bottom Cone	6 Top Cones 1 Bottom Cone	4 Top Cones 1 Bottom Cone

### Dimensions

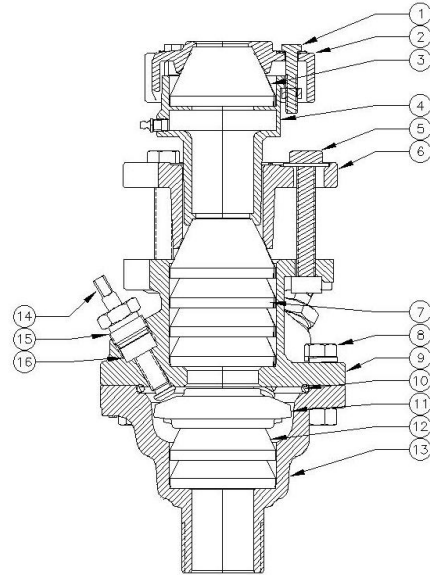


	SPSB	DPSB	TBSB
Height	13 3/4"	17 3/8"	15 1/2"
Approximate Weight	25 lb.	50 lb.	35 lb.

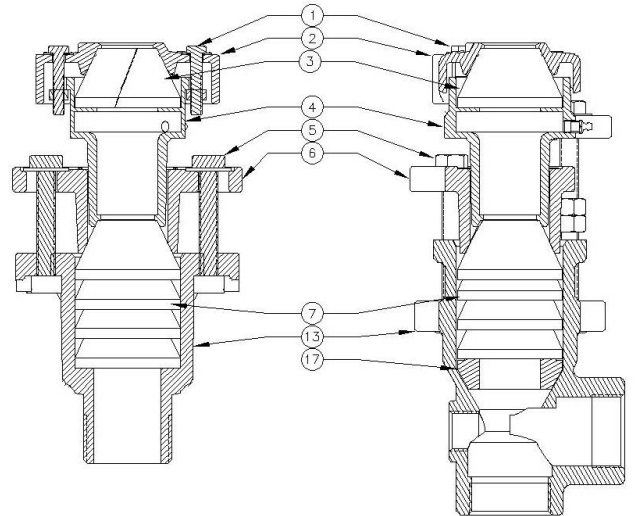


Parts List

	Part Number	Description	QTY
1	101301	Lube Gland Bolt Set	1
2	106301	Lube Gland Cap, 1"-1 5/16"	1
	106302	Lube Gland Cap, 1 3/8"-1 1/2"	
	106303	Lube Gland Cap, 1 3/4"	
3	See 7	Top Cone	1
4	112301	Upper Lube Gland, 1"-1 5/16"	1
	112302	Upper Lube Gland, 1 3/8"-1 1/2"	
	112303	Upper Lube Gland, 1 3/4"	
5	112401	Lower Lube Gland	1
6	101501	Lower Lube Bolt Set, SP/DP	2
	102101	Lower Lube Bolt Set, Tee Base	
7	114501	Cone Packing Set, 1" Soft	1
	114502	Cone Packing Set, 1 1/8" Soft	
	114503	Cone Packing Set, 1 1/4" Soft	
	114504	Cone Packing Set, 1 5/16" Soft	
	114505	Cone Packing Set, 1 3/8" Soft	
	114506	Cone Packing Set, 1 7/16" Soft	
	114507	Cone Packing Set, 1 1/2" Soft	
8	101801	DPSB Base/Body Bolts	6
	100901	DPSB Body	
10	114401	DPSB O-ring	1
11	119001	Compression Ring, 1"-1 5/16"	1
	119002	Compression Ring, 1 3/8"-1 1/2"	
	119003	Compression Ring, 1 3/4"	
12	See 7	Top Cone	2
13	100301	DPSB Base, 2" 8RD EUE	1
	100302	DPSB Base, 2" 11 1/2V LP	
	100303	DPSB Base, 2 1/2" 8RD EUE	
	100304	DPSB Base, 2 1/2" 11 1/2V LP	
	100305	DPSB Base, 2 1/2" 8V LP	
	100306	DPSB Base, 3" 8RD EUE	
	100307	DPSB Base, 3" 8V LP	
	100701	SPSB Base, 2" 8RD EUE	
	100702	SPSB Base, 2" 11 1/2V LP	
	100703	SPSB Base, 2 1/2" 8RD EUE	
	100704	SPSB Base, 2 1/2" 11 1/2V LP	
	100705	SPSB Base, 2 1/2" 8V LP	
	100706	SPSB Base, 3" 8V LP	
	100707	SPSB Base, 3" 8RD EUE	
	30400079	Tee Base, 2" 8RD EUE x 2 3/8" 11 1/2V	
30400090	Tee Base, 2 1/2" 8RD EUE x 3 1/2" 8V		
14	101901	Compression Bolt, Set	1
15	113501	Compression Nut, Set	2
16	118901	Compression Gland Ring, Set	2
17	305191	Support Follower	1
18*	101401	Upper Lube Bolt Set, SP/DP	2
	102001	Upper Lube Bolt Set, Tee Base	



Dual Pack Stuffing Box (DPSB)



Single Pack Stuffing Box (SPSB)

Tee Base Stuffing Box (TBSB)

\*Not shown

\*\*Not all options shown