



WNS Lowery
2221 SE 69th St
Oklahoma City, OK 73149
(405) 677-7222

Model 302/302SG, Model 303/303SG, Model 403/403SG Rod Rotators

WNS Lowery has a full offering of Rod Rotators to ensure we have the perfect match for every application. The Rod Rotator is the one of the most critical products for reducing tubing, rod coupling, and packing wear and assisting on removing paraffin from inside the tubing. These rod rotators utilize a helical worm gear design to efficiently transfer the reciprocating action of the horse head to a rotational motion in the polished rod.

The Model 403 and 403SG is our latest iteration of the traditional rod rotator design. This newest improvement utilizes an innovative one-way clutch bearing and solid worm shaft that eliminates the need for the ratchet pawls. The Model 302 and 302SG is the economical, traditional, and proven ratch pawl design that has been standard within the industry. The Model 303 and 303SG incorporates the new one-way bearing design at an affordable price.

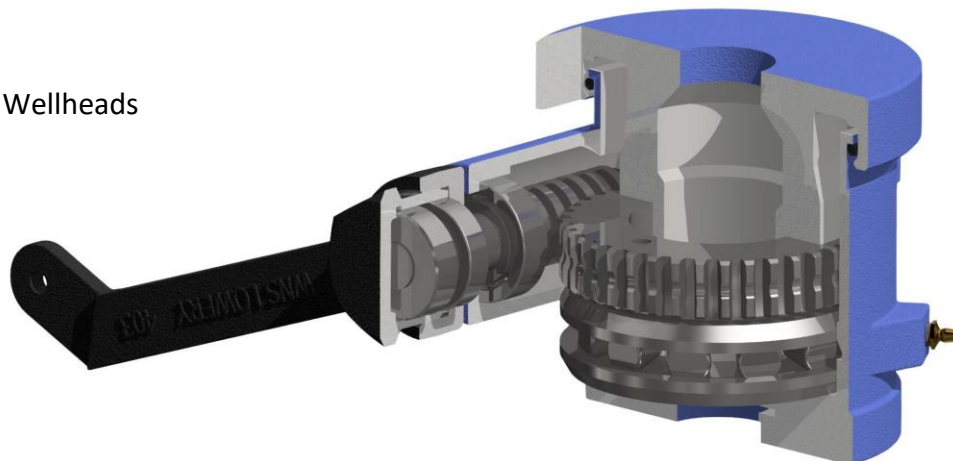
All models are available with a Slow Gear option that allows the torque on the polished rod to easily disperse downhole. Retrofit kits are available to convert existing Model 302/302SG into a Model 303/303SG.

Features:

- One-Way Bearing and Ratchet Pawl options
- Slow Gear optional
- Helical Gear Design
- Works on 1 1/8" thru 1 3/4" Polished Rod Sizes

Applications:

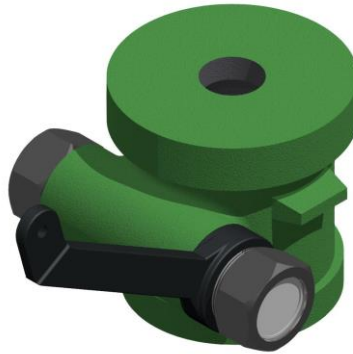
- Artificial Lift Wellheads



Specifications



Model 302



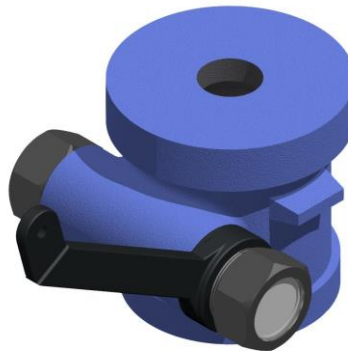
Model 303



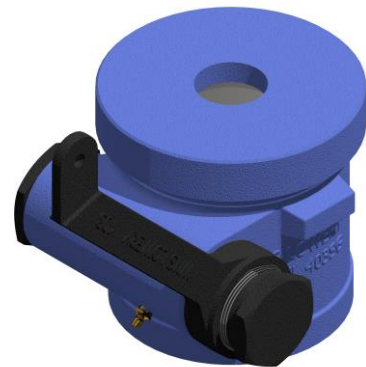
Model 403



Model 302SG



Model 303SG



Model 403SG

	Model 302/302SG	Model 303/303SG	Model 403/403SG
Maximum Recommended load	40,000 lb	40,000 lb	50,000 lb
Max Output Torque	240 ft/lb	240 ft/lb	240 ft/lb
Required Bridal Clearance Width	7 in	7 in	7 in
Polished Rod Sizes	1 1/8" thru 1 3/4"	1 1/8" thru 1 3/4"	1 1/8" thru 1 3/4"
Actuator Type	Ratchet Pawl	One-Way Bearing	One-Way Bearing
90° Level Pulls per Revolution	77/154	77/154	77/154
Body Material	Ductile Iron	Ductile Iron	Ductile Iron
Height	6.5 in	6.5 in	6.5 in
Weight	47 lb	49 lb	48 lb
Actuator Cable Length*	25'	25'	25'

*10' and 16' cable length available on request