

## Pollution Control Stuffing Boxes

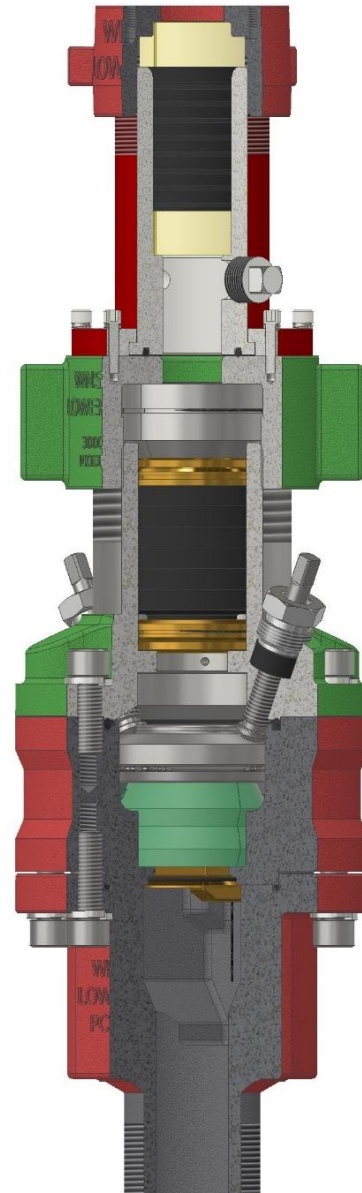
The WNS Lowery Pollution Control Stuffing Boxes provides an automatic way to seal the well if the polished rod breaks. The Pollution Control Base and Flapper can be installed on the Standard Style Dual Pack Stuffing Box and all Performance Style Big Boy Stuffing Boxes. The design allows for maintenance to the primary packing while the unit is still under pressure. All units can be fitted with a HE-LUG to improve the performance of the unit and reduce costly maintenance.

### Features:

- 1500, 3000, & 5000 PSI working pressure
- Flapper automatically closes and seals if the Polished Rod were to break
- Flapper is made of aluminum bronze to reduce wear to the polished rod under normal operation.
- Dome style primary packing allows for wide range of applications
- Compression Bolts enable maintenance to be performed to the primary packing while under pressure.
- Performance Style Big Boy Stuffing boxes have two ¼" NPT Ports 180° apart on the body for a grease zerker and pressure gauge.
- Optional HE-LUG for improved performance

### Applications:

- Pressure Control
- Artificial Lift



3000 lb. Performance Style Big Boy Stuffing Box w/ a Pollution Control Base in the closed position

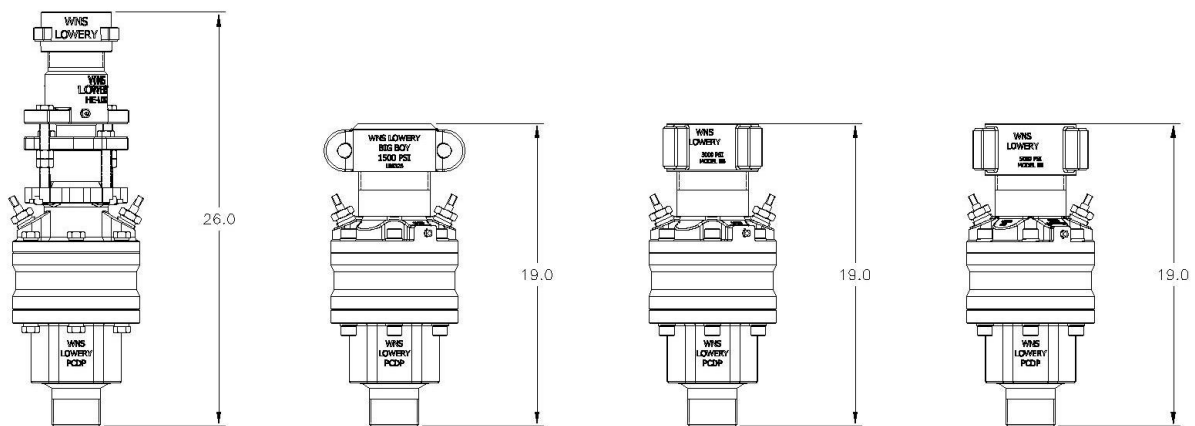


WNS Lowery  
 2221 SE 69<sup>th</sup> St  
 Oklahoma City, OK 73149  
 (405) 677-7222

### Specifications

	DPPCSB	1500 lb. BBPCSB	3000 lb. BBPCSB	5000 lb. BBPCSB
Working Pressure	1500 PSI	1500 PSI	3000 PSI	5000 PSI
Body Material	Ductile Iron	Ductile Iron	WCB Steel	WCB Steel
Pollution Control Material	Carbon Steel			
Flapper Material	Aluminum Bronze			
Bottom Connection Sizes (API or LP)	2", 2 ½", 3"			
Bottom Connection	Male			
Packing Sizes	1 1/4", 1 1/2", & 1 3/4"			
Packing Required	1 Primary Packing Set 1 Secondary Bottom Cone 1 Secondary Top Cone			

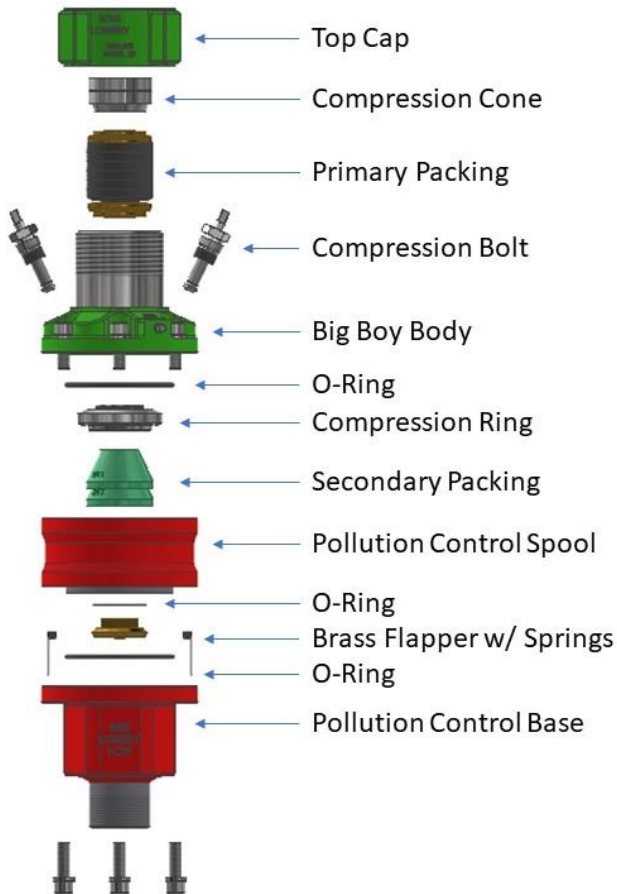
### Dimensions



	DPPCSB	1500 lb. BBPCSB	3000 lb. BBPCSB	5000 lb. BBPCSB
Height	26"	19"	19"	19"
Height with HE-LUG		27"	27"	27"

### Selection Matrix

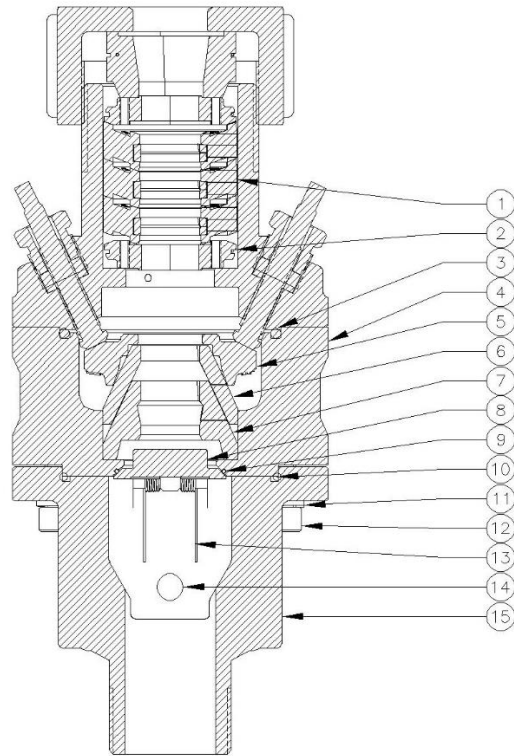
PC	-	-	-	-	-	-	-	-	Style
DP									Standard Style Double Pack
BB									Performance Style Big Boy
									<b>Working Pressure</b>
1500									1500 PSI
3000									3000 PSI
5000									5000 PSI
									<b>Bottom Connection</b>
2-8R									2" 8R EUE
2-11.5V									2" 11.5V LP
2.5-8R									2.5" 8R EUE
2.5-8V									2.5" 8V LP
2.5-11.5V									2.5" 11.5V LP
3-8R									3" 8R EUE
3-8V									3" 8V LP
									<b>Packing Size</b>
1									1"
1 1/8									1 1/8"
1 1/4									1 1/4"
1 5/16									1 5/16"
1 3/8									1 3/8"
1 1/2									1 1/2"
1 3/4									1 3/4"
									<b>Primary Packing Material/Style</b>
Soft									Soft Cone
Hard									Hard Cone
BT									Gold Flake (Brass Teflon) Cone
HT									Hi Temp Cone
HSN									HSN Cone
Tef									Teflon Cone
EL475									EL475 Cone
EL575									EF575 Cone
EL675									EF675 Cone
KevD									Kevlar Brass Cone
SR									SR Cone
BND									Nitrile Dome
HSND									HSN Dome
AD									Aflas Dome
									<b>Secondary Packing Material</b>
Soft									Soft Cone
Hard									Hard Cone
BT									Gold Flake (Brass Teflon) Cone
HT									Hi Temp Cone
HSN									HSN Cone
Tef									Teflon Cone
EL475									EL475 Cone
EL575									EF575 Cone
EL675									EF675 Cone
KevD									Kevlar Brass Cone
SR									SR Cone
									<b>Options</b>
C									Coated
HE									HE-LUG



\*Consult factory for all options  
 \*\* Dome packing recommended for 3000 & 5000 PSI

Parts List (Pollution Control only)

	Part Number	Description	QTY
1	114523	Dome Packing, 1 1/4" Buna-N	1
	114527	Dome Packing, 1 1/2" Buna-N	
	114528	Dome Packing, 1 3/4" Buna-N	
2*	119023	Bronze Ring Set, 1"-1 5/16"	1
	119027	Bronze Ring Set, 1 3/8"-1 1/2"	
	119028	Bronze Ring Set, 1 3/4"	
3	114401	Body O-Ring, Buna-N	1
	114411	Body O-Ring, Viton	
4	120200	Pollution Control Spool	1
5	119001	Compression Ring, 1"-1 5/16"	1
	119002	Compression Ring, 1 3/8"-1 1/2"	
	119003	Compression Ring, 1 3/4"	
6	115603	1 1/4" Soft Top Cone	1
	115607	1 1/2" Soft Top Cone	
	115608	1 3/4" Soft Top Cone	
	115673	1 1/4" SL575 Top Cone	
	115677	1 1/2" SL575 Top Cone	
	115678	1 3/4" SL575 Top Cone	
7	115503	1 1/4" Soft Bottom Cone	1
	115507	1 1/2" Soft Bottom Cone	
	115508	1 3/4" Soft Bottom Cone	
	115573	1 1/4" SL575 Bottom Cone	
	115577	1 1/2" SL575 Bottom Cone	
	115578	1 3/4" SL575 Bottom Cone	
8	112070	Aluminum Bronze Flapper	1
9	114402	Flapper O-Ring, Viton	1
10	114403	Base O-Ring, Viton	1
11	3060	Split Washer	12
12	106460	Base Bolt	6
13a	120210	Flapper Springs	1
13b	120211		
14**	117503	1/2" NPT Square Plug	2
15	100321	PC Base, 2" 8RD EUE	1
	100322	PC Base, 2" 11 1/2V LP	
	100323	PC Base, 2 1/2" 8RD EUE	
	100324	PC Base, 2 1/2" 11 1/2V LP	
	100325	PC Base, 2 1/2" 8V LP	
	100326	PC Base, 3" 8RD EUE	
	100327	PC Base, 3" 8V LP	
16**	106450	Body Bolts	6



\*Dome Packing Only

\*\*Not shown

\*\*\*Not all options shown