
Model L-500F & L-1000F Series Performance Blow-Out Preventors (BOP)

The WNS Lowery Model L-500F and L-1000F Series Performance Style Blow-Out Preventors (BOPs) offer an advanced solution to quickly shut off a well by sealing around the polished rod. The Model L-500F & L-1000F Series BOPs have an innovative ram block seal design that eliminates the possibility of the seal extruding due to the increase flow caused during opening and closing the BOP. The BOPs have a pressure balanced ram design that aids in the closing process reducing operator effort. Every unit is pressure tested prior to leaving the factory and suitable for low temperature and sour service applications.

Features:

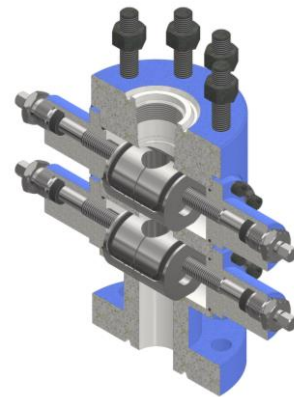
- 5000 & 10000 PSI max working pressure.
- Dual Ram
- Integrated Flow Tee reduces overall height
- Suitable for low temperature (-50°F) and sour service (NACE MR-01-75)
- 100% factory pressure tested
- Anti-extrusion seal design
- Pressure balanced ram design for decreased operator effort.
- 1 ¼", 1 ½", and Blind rams available

Applications:

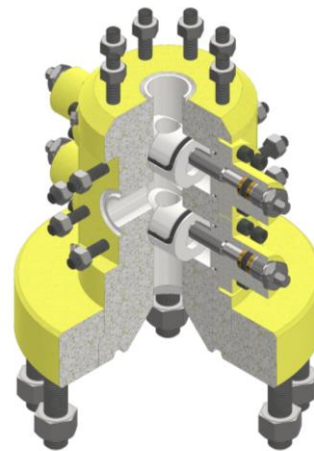
- Pressure Control

Processes:

- Drilling



Model L-500F



Model L-1000F



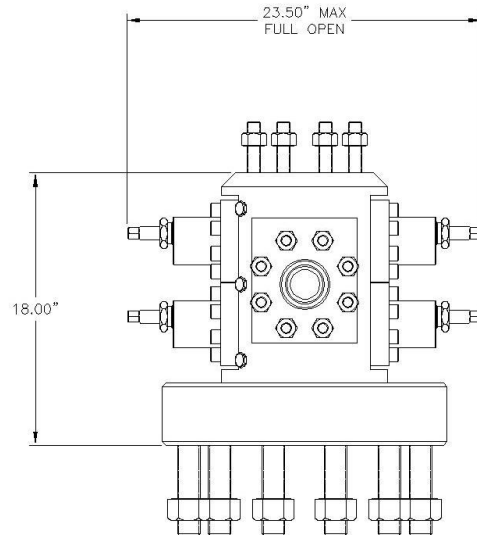
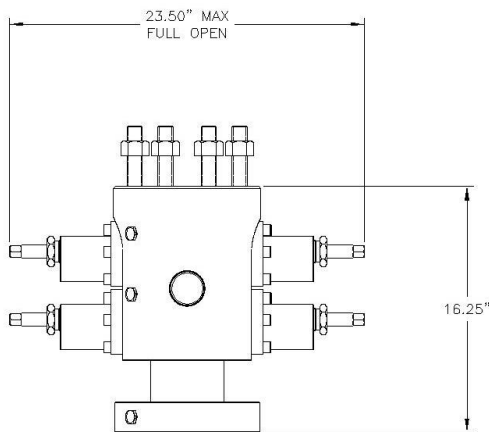
WNS Lowery
 2221 SE 69th St
 Oklahoma City, OK 73149
 (405) 677-7222

Specifications

	Model L-500F	Model L-1000F
Working Pressure	5000 PSI	10000 PSI
Bottom Connection Sizes*	2 9/16"-5M or 7 1/16" 5M Flanged	7 1/16" 10M Studded
Top Connection Sizes*	2 9/16"-5M Studded	2 9/16"-10M Studded
Side Port Connection Sizes*	2" NPT or 2 1/16" 5M Studded	2 1/16" 10M Studded
Ram Sizes	Blind, 1 1/4", & 1 1/2"	

*Consult factory for additional connection options

Dimensions



	Model L-500F	Model L-1000F
Height	16.25"	18.00"
Approximate Weight	300 lb	700 lb

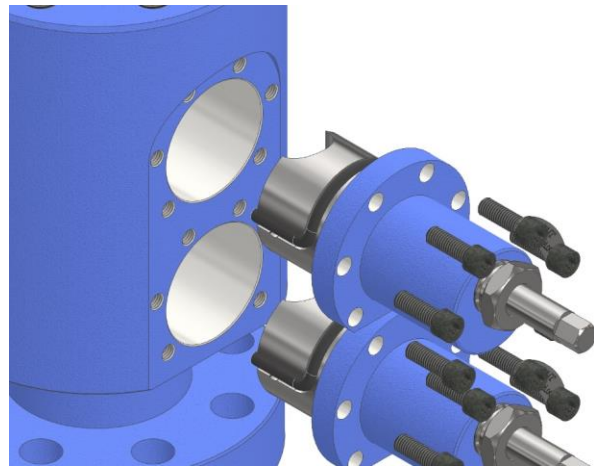
Materials of Construction

	Model L-500F & L-1000F
Body	Forged 4130
Cap	4130 Bar stock
Ram Seals	NACE (HSN) (Standard), High Temperature
Ram Bolt	4130 Bar stock

Installation and Maintenance

BOP Ram Setup:

1. Rams come pre-installed in the proper flow direction with the Pin (down) and Box (up). Rams are unidirectional and must be flipped over if installation is opposite of the factory standard orientation.
2. Failure to properly install the rams will result in product failure.



Operation:

1. When operating the unit manually, it is recommended to use a $\frac{3}{4}$ " 6pt socket.
2. To close the unit, turn each ram bolt clockwise. To ensure a proper seal is formed it is recommended to turn each side by $\frac{1}{2}$ -1 turn going back and forth between each side to ensure even compression on the polished rod.
 - a. Due to the pressure balanced design of the rams, the unit does not require a high torque to seal. 20 ft-lb is sufficient to seal the unit under factory conditions.

Note: It is not recommended to exceed 50 ft-lb.

Maintenance:

1. While the unit is isolated, each cap can be pulled off to inspect the components by removing the bolts.
2. All worn rubber components should be replaced at this time.
3. To reassembly the unit, torque the end cap bolts to 110 ft-lb.

Note: It is not recommended to exceed 150 ft-lb.