
Model L-300T & L-500T Series Performance Blow-Out Preventors (BOP)

The WNS Lowery Model L-300T and L-500T Series Performance Style Blow-Out Preventors (BOPs) offer an advanced solution to quickly shut off a well by sealing around the polished rod. The Model L-300T & L-500T Series BOPs have an innovative ram block seal design that eliminates the possibility of the seal extruding due to the increase flow caused during opening and closing the BOP. The BOPs have a pressure balanced ram design that aids in the closing process reducing operator effort. Every unit is pressure tested prior to leaving the factory and suitable for low temperature and sour service applications.

Features:

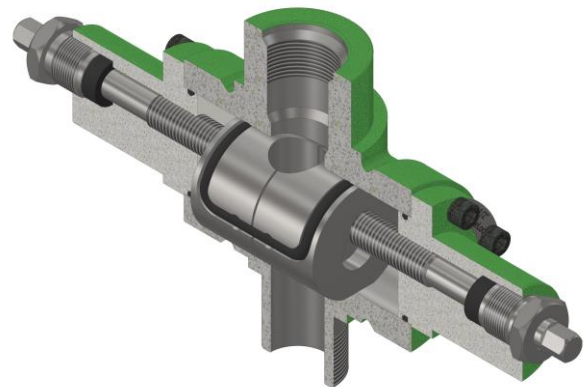
- 3000 & 5000 PSI max working pressure.
- Suitable for low temperature (-50°F) and sour service (NACE MR-01-75)
- 100% factory pressure tested
- Anti-extrusion seal design
- Pressure balanced ram design for decreased operator effort.
- 1 ¼", 1 ½", and Blind rams available

Applications:

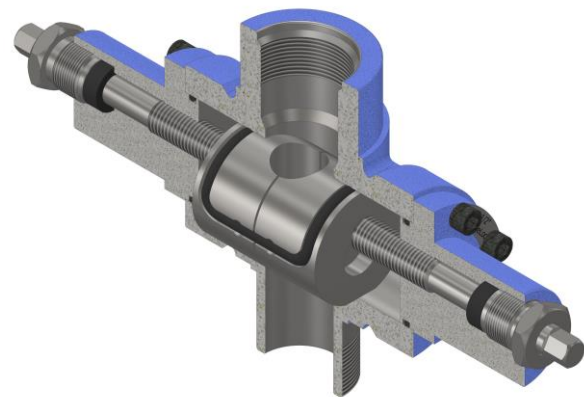
- Pressure Control

Processes:

- Drilling



Model L-300T



Model L-500T

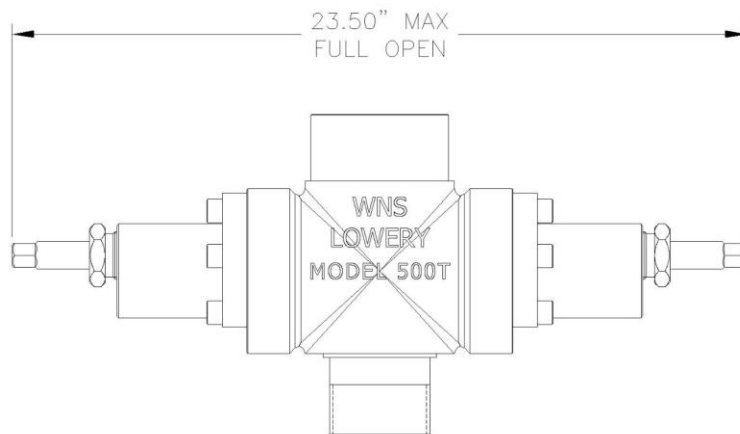


WNS Lowery
 2221 SE 69th St
 Oklahoma City, OK 73149
 (405) 677-7222

Specifications

	Model L-300T	Model L-500T
Working Pressure	3000 PSI	5000 PSI
Connection Sizes	2 3/8" EUE, 2 7/8" EUE, 3 1/2" EUE 3" NPT	
Ram Sizes	Blind, 1 1/4", & 1 1/2"	

Dimensions



	Model L-300T & L-500T
Height	10.25"
Approximate Weight	65 lb

Materials of Construction

	Model 300T & 500T
Body	Forged 4130
Cap	4130 Bar stock
Ram	NACE (HSN) (Standard), High Temperature
Ram Bolt	4130 Bar stock

Installation and Maintenance

BOP Ram Setup:

1. Rams come pre-installed in the proper flow direction with the Pin (down) and Box (up). Rams are unidirectional and cannot be reversed.
2. Failure to properly install the rams will result in product failure.



Operation:

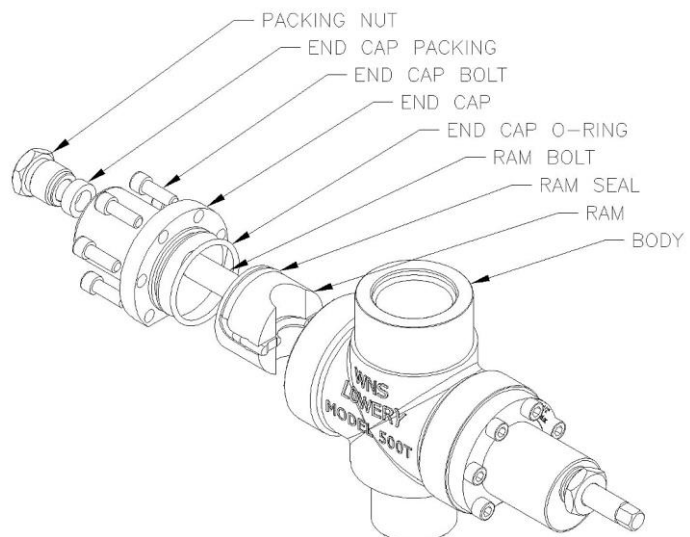
1. When operating the unit manually, it is recommended to use a $\frac{3}{4}$ " 6pt socket.
2. To close the unit, turn each ram bolt clockwise. To ensure a proper seal is formed it is recommended to turn each side by $\frac{1}{2}$ -1 turn going back and forth between each side to ensure even compression on the polished rod.
 - a. Due to the pressure balanced design of the rams, the unit does not require a high torque to seal. 20 ft-lb is sufficient to seal the unit under factory conditions.

Note: It is not recommended to exceed 50 ft-lb.

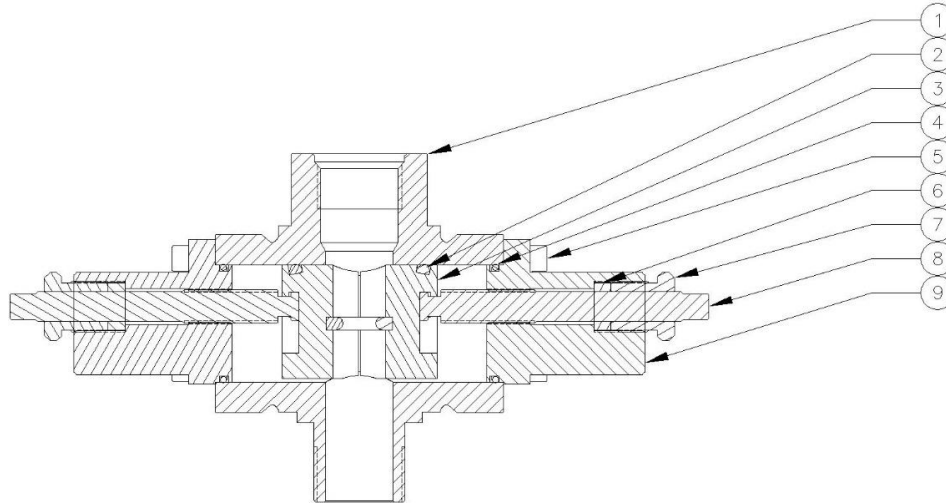
Maintenance:

1. While the unit is isolated, each cap can be pulled off to inspect the components by removing the bolts.
2. All worn rubber components should be replaced at this time.
3. To reassembly the unit, torque the end cap bolts to 110 ft-lb.

Note: It is not recommended to exceed 150 ft-lb.



Part Numbers



	Part Number	Description	Qty
1*	100490	L-300T Body, 2 3/8" EUE	1
	100491	L- 300T Body, 2 7/8" EUE	
	100492	L- 300T Body, 3 1/2" EUE	
	100495	L- 500T Body, 2 3/8" EUE	
	100496	L- 500T Body, 2 7/8" EUE	
	100497	L- 500T Body, 3" EUE	
2*	117251	Ram Seal, Blind, HSN	1
	117253	Ram Seal, 1 1/4", HSN	
	117257	Ram Seal, 1 1/2", HSN	
3*	117221	Ram Set, Model 300T, Blind, HSN	1
	117223	Ram Set, Model 300T, 1 1/4", HSN	
	117227	Ram Set, Model 300T, 1 1/2", HSN	
	117201	Ram Set, Model 500T, Blind, HSN	
	117203	Ram Set, Model 500T, 1 1/4", HSN	
	117207	Ram Set, Model 500T, 1 1/2", HSN	
4	114355	End Cap O-Ring, HSN	2
5	119151	End Cap Screws	12
6	119052	End Cap Packing Ring	2
7	112715	End Cap Packing Nut	2
8	119440	Ram Bolt	2
9	106620	End Cap	2

*not all options listed